



## Precision 1.85mm Male to 1.85mm Female Adapter

### TECHNICAL DATA SHEET

PE9715

#### Precision 1.85mm Male to 1.85mm Female Adapter

##### Configuration

Connector 1	1.85mm Male
Impedance 1	50 Ohms
Connector 2	1.85mm Female
Impedance 2	50 Ohms
Adapter Design	Precision
Body Style	Straight

##### Electrical Specifications

Frequency Range, GHz	DC to 65
----------------------	----------

##### Frequency 1

Frequency, GHz	DC to 26.5
VSWR	1.25:1

##### Frequency 2

Frequency, GHz	26.5 to 50
VSWR	1.35:1

##### Frequency 3

Frequency, GHz	50 to 65
VSWR	1.5:1

##### Mechanical Specifications

##### Temperature

Operating Range, deg C	-65 to +125
------------------------	-------------

##### Size

Length, in [mm]	0.8 [20.32]
Width/Dia., in [mm]	0.312 [7.92]

##### Connector 1

Type	1.85mm Male
Hex Size, in.	5/16
Torque, in-lbs [Nm]	8 [0.9]

##### Connector 2

Type	1.85mm Female
------	---------------

##### Compliance Certifications (visit [www.Pasternack.com](http://www.Pasternack.com) for current document)

RoHS Compliant	Yes
----------------	-----

Click the following link (or enter part number in "SEARCH" on website) to obtain additional part information including price, inventory and certifications: [Precision 1.85mm Male to 1.85mm Female Adapter PE9715](#)

The information contained in this document is accurate to the best of our knowledge and representative of the part described herein. It may be necessary to make modifications to the part and/or the documentation of the part, in order to implement improvements. Pasternack reserves the right to make such changes as required. Unless otherwise stated, all specifications are nominal.



## Precision 1.85mm Male to 1.85mm Female Adapter

### TECHNICAL DATA SHEET

PE9715

#### Plotted and Other Data

Notes:

Values at 25 °C, sea level

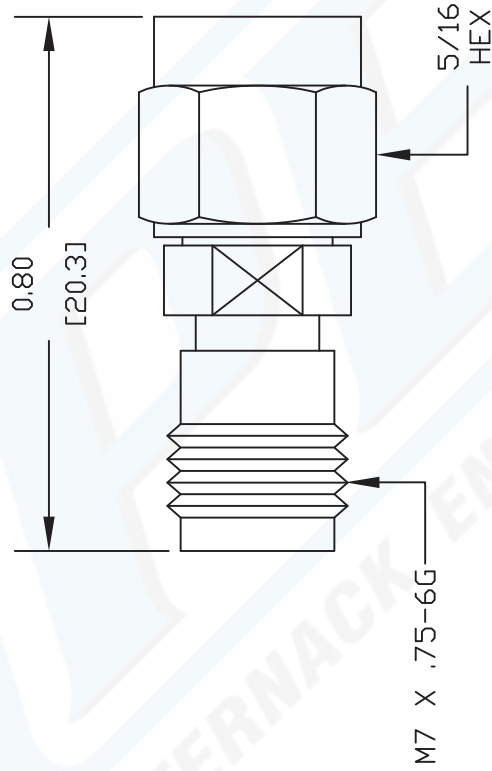
URL: <http://www.pasternack.com/1.85mm-male-1.85mm-female-straight-adapter-pe9715-p.aspx>

Precision 1.85mm Male to 1.85mm Female Adapter from Pasternack Enterprises has same day shipment for domestic and International orders. Our RF, microwave and fiber optic products maintain a 99% availability and are part of the broadest selection in the industry.

The information contained in this document is accurate to the best of our knowledge and representative of the part described herein. It may be necessary to make modifications to the part and/or the documentation of the part, in order to implement improvements. Pasternack reserves the right to make such changes as required. Unless otherwise stated, all specifications are nominal.

# PE9715 CAD Drawing

Precision 1.85mm Male to 1.85mm Female Adapter



DWG TITLE

**PE9715**

NOTES:  
1. UNLESS OTHERWISE SPECIFIED ALL DIMENSIONS ARE NOMINAL.  
2. ALL SPECIFICATIONS ARE SUBJECT TO CHANGE WITHOUT NOTICE AT ANY TIME.  
3. DIMENSIONS ARE IN INCHES [mm].

**PASTERNAK ENTERPRISES, INC.**  
P O BOX 16759, IRVINE, CA 92623  
PHONE (949) 261-1920 FAX (949) 261-7451  
WEB ADDRESS: [www.pasternack.com](http://www.pasternack.com)  
E-MAIL ADDRESS: [sales@pasternack.com](mailto:sales@pasternack.com)  
**COAXIAL & FIBER OPTICS**



REV. -

FSCM NO. 53919

CAD FILE 072403

SCALE N/A

SIZE A

127