



## Precision 2.92mm Female to 1.85mm Female Adapter

### TECHNICAL DATA SHEET

PE9668

#### Precision 2.92mm Female to 1.85mm Female Adapter

##### Configuration

Connector 1	2.92mm Female
Impedance 1	50 Ohms
Connector 2	1.85mm Female
Impedance 2	50 Ohms
Adapter Design	Precision
Body Style	Straight

##### Electrical Specifications

Frequency Range, GHz	DC to 40
Maximum VSWR	1.25:1
Maximum Insertion Loss, dB	0.32

##### Mechanical Specifications

###### Size

Length, in [mm]	0.747 [18.97]
Width/Dia., in [mm]	0.31 [7.87]

###### Connector 1

Type	2.92mm Female
Inner Conductor Material and Plating	Beryllium Copper, Gold
Inner Conductor Plating Specification	MIL-G-45204, Type II, Class 1
Body Material and Plating	Passivated Stainless Steel
Body Plating Specification	ASTM A380
Dielectric Type	PPO

###### Connector 2

Type	1.85mm Female
Inner Conductor Material and Plating	Beryllium Copper, Gold
Inner Conductor Plating Specification	MIL-G-45204, Type II, Class 1
Body Material and Plating	Passivated Stainless Steel
Body Plating Specification	ASTM A380
Dielectric Type	PPO

##### Compliance Certifications (visit [www.Pasternack.com](http://www.Pasternack.com) for current document)

RoHS Compliant	Yes
----------------	-----

Click the following link (or enter part number in "SEARCH" on website) to obtain additional part information including price, inventory and certifications: [Precision 2.92mm Female to 1.85mm Female Adapter PE9668](#)

The information contained in this document is accurate to the best of our knowledge and representative of the part described herein. It may be necessary to make modifications to the part and/or the documentation of the part, in order to implement improvements. Pasternack reserves the right to make such changes as required. Unless otherwise stated, all specifications are nominal.



Precision 2.92mm Female to 1.85mm Female Adapter

TECHNICAL DATA SHEET

PE9668

**Plotted and Other Data**

Notes:

Values at 25 °C, sea level

URL: <http://www.pasternack.com/2.92mm-female-1.85mm-female-straight-adapter-pe9668-p.aspx>

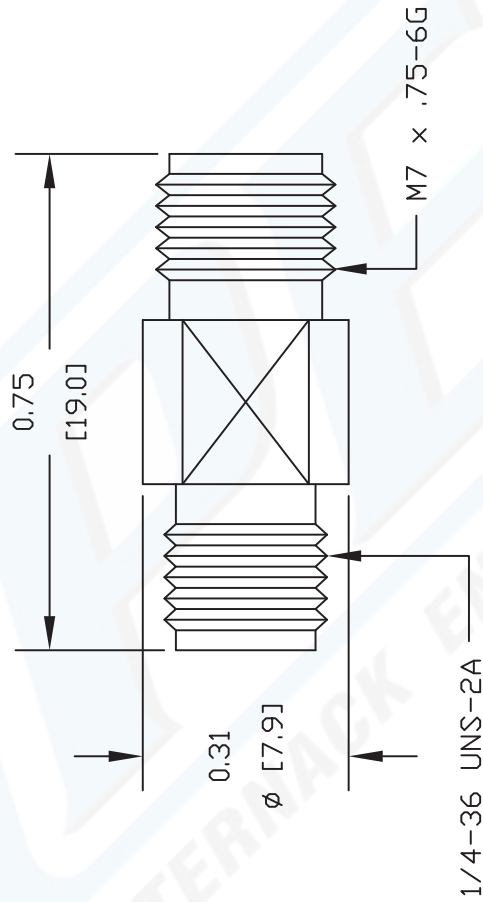
Precision 2.92mm Female to 1.85mm Female Adapter from Pasternack Enterprises has same day shipment for domestic and International orders. Our RF, microwave and fiber optic products maintain a 99% availability and are part of the broadest selection in the industry.

The information contained in this document is accurate to the best of our knowledge and representative of the part described herein. It may be necessary to make modifications to the part and/or the documentation of the part, in order to implement improvements. Pasternack reserves the right to make such changes as required. Unless otherwise stated, all specifications are nominal.



# PE9668 CAD Drawing

Precision 2.92mm Female to 1.85mm Female Adapter



NOTES:  
 1. UNLESS OTHERWISE SPECIFIED ALL DIMENSIONS ARE NOMINAL.  
 2. ALL SPECIFICATIONS ARE SUBJECT TO CHANGE WITHOUT NOTICE AT ANY TIME.  
 3. DIMENSIONS ARE IN INCHES [mm].

DWG TITLE  
**PE9668**

**PASTERNAK ENTERPRISES, INC.**  
 P.O. BOX 16759, IRVINE, CA 92623  
 PHONE (949) 261-1920 FAX (949) 261-7451  
 WEB ADDRESS: [www.pasternack.com](http://www.pasternack.com)  
 E-MAIL ADDRESS: [sales@pasternack.com](mailto:sales@pasternack.com)  
**COAXIAL & FIBER OPTICS**



REV. -	FSCM NO. 53919	CAD FILE 010903	SCALE N/A	SIZE A	127
--------	----------------	-----------------	-----------	--------	-----