



Precision 3.5mm Male to 1.85mm Male Adapter

TECHNICAL DATA SHEET

PE9746

**Precision 3.5mm Male to 1.85mm Male Adapter**

**Configuration**

Connector 1	3.5mm Male
Impedance 1	50 Ohms
Connector 2	1.85mm Male
Impedance 2	50 Ohms
Adapter Design	Precision
Body Style	Straight

**Electrical Specifications**

Frequency Range, GHz	DC to 34.5
Maximum VSWR	1.25:1

**Mechanical Specifications**

**Size**

Length, in [mm]	0.808 [20.52]
Width/Dia., in [mm]	0.312 [7.92]

**Connector 1**

Type	3.5mm Male
Inner Conductor Material and Plating	Gold
Coupling Nut Material and Plating	Passivated Stainless Steel
Hex Size, in.	5/16
Torque, in-lbs [Nm]	5 [0.57]
Body Material and Plating	Passivated Stainless Steel
Dielectric Type	PPO

**Connector 2**

Type	1.85mm Male
Inner Conductor Material and Plating	Gold
Coupling Nut Material and Plating	Passivated Stainless Steel
Body Material and Plating	Passivated Stainless Steel
Dielectric Type	PPO

**Compliance Certifications** (visit [www.Pasternack.com](http://www.Pasternack.com) for current document)

RoHS Compliant	Yes
----------------	-----

Click the following link (or enter part number in "SEARCH" on website) to obtain additional part information including price, inventory and certifications: [Precision 3.5mm Male to 1.85mm Male Adapter PE9746](#)

The information contained in this document is accurate to the best of our knowledge and representative of the part described herein. It may be necessary to make modifications to the part and/or the documentation of the part, in order to implement improvements. Pasternack reserves the right to make such changes as required. Unless otherwise stated, all specifications are nominal.





## Precision 3.5mm Male to 1.85mm Male Adapter

### TECHNICAL DATA SHEET

PE9746

#### Plotted and Other Data

Notes:

Values at 25 °C, sea level

Precision 3.5mm Male to 1.85mm Male Adapter from Pasternack Enterprises has same day shipment for domestic and International orders. Our RF, microwave and fiber optic products maintain a 99% availability and are part of the broadest selection in the industry.

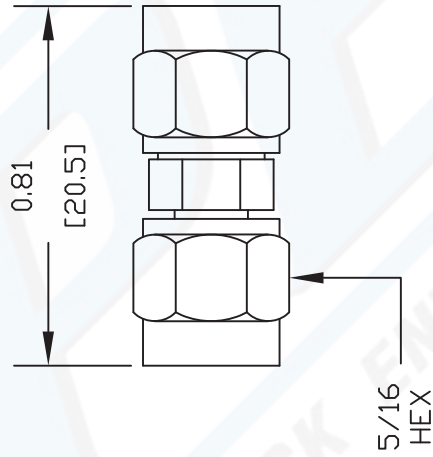
Click the following link (or enter part number in "SEARCH" on website) to obtain additional part information including price, inventory and certifications: [Precision 3.5mm Male to 1.85mm Male Adapter PE9746](http://www.pasternack.com/3.5mm-male-1.85mm-male-straight-adapter-pe9746-p.aspx)

URL: <http://www.pasternack.com/3.5mm-male-1.85mm-male-straight-adapter-pe9746-p.aspx>

The information contained in this document is accurate to the best of our knowledge and representative of the part described herein. It may be necessary to make modifications to the part and/or the documentation of the part, in order to implement improvements. Pasternack reserves the right to make such changes as required. Unless otherwise stated, all specifications are nominal.

# PE9746 CAD Drawing

## Precision 3.5mm Male to 1.85mm Male Adapter



NOTES:  
 1. UNLESS OTHERWISE SPECIFIED ALL DIMENSIONS ARE NOMINAL.  
 2. ALL SPECIFICATIONS ARE SUBJECT TO CHANGE WITHOUT NOTICE AT ANY TIME.  
 3. DIMENSIONS ARE IN INCHES [mm].

DWG TITLE  
**PE9746**

**PASTERNAK ENTERPRISES, INC.**  
 P O BOX 16759, IRVINE, CA 92623  
 PHONE (949) 261-1920 FAX (949) 261-7451  
 WEB ADDRESS: [www.pasternack.com](http://www.pasternack.com)  
 E-MAIL ADDRESS: [sales@pasternack.com](mailto:sales@pasternack.com)  
**COAXIAL & FIBER OPTICS**



REV. -	FSCM NO. 53919	CAD FILE 070303	SCALE N/A	SIZE A	127
--------	----------------	-----------------	-----------	--------	-----