



Precision 2.4mm Female to 7mm Sexless Adapter

TECHNICAL DATA SHEET

PE9459

Precision 2.4mm Female to 7mm Sexless Adapter

Configuration

Connector 1	2.4mm Female
Impedance 1	50 Ohms
Connector Specification 1	MIL-STD-348
Connector 2	7mm Sexless
Impedance 2	50 Ohms
Connector Specification 2	IAW IEEE-STD-287
Adapter Design	Precision
Body Style	Straight

Electrical Specifications

Frequency Range, GHz	DC to 18
Maximum VSWR	1.1:1

Mechanical Specifications

Temperature

Operating Range, deg C	+125 to -65
------------------------	-------------

Size

Length, in [mm]	1.365 [34.67]
Width/Dia., in [mm]	0.87 [22.1]

Connector 1

Type	2.4mm Female
Inner Conductor Material and Plating	Beryllium Copper, Gold
Outer Conductor Material and Plating	Passivated Stainless Steel
Body Material and Plating	Passivated Stainless Steel
Dielectric Type	PTFE

Connector 2

Type	7mm Sexless
Inner Conductor Material and Plating	Beryllium Copper, Gold
Coupling Nut Material and Plating	Stainless Steel
Body Material and Plating	Stainless Steel
Dielectric Type	PTFE

Compliance Certifications (visit www.Pasternack.com for current document)

RoHS Compliant	Yes
----------------	-----

Click the following link (or enter part number in "SEARCH" on website) to obtain additional part information including price, inventory and certifications: [Precision 2.4mm Female to 7mm Sexless Adapter PE9459](#)

The information contained in this document is accurate to the best of our knowledge and representative of the part described herein. It may be necessary to make modifications to the part and/or the documentation of the part, in order to implement improvements. Pasternack reserves the right to make such changes as required. Unless otherwise stated, all specifications are nominal.





Precision 2.4mm Female to 7mm Sexless Adapter

TECHNICAL DATA SHEET

PE9459

Plotted and Other Data

Notes:

Values at 25 °C, sea level

Precision 2.4mm Female to 7mm Sexless Adapter from Pasternack Enterprises has same day shipment for domestic and International orders. Our RF, microwave and fiber optic products maintain a 99% availability and are part of the broadest selection in the industry.

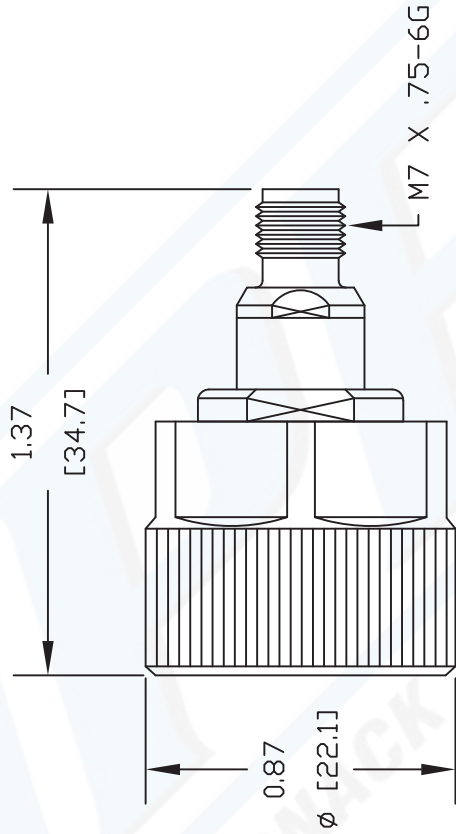
Click the following link (or enter part number in "SEARCH" on website) to obtain additional part information including price, inventory and certifications: [Precision 2.4mm Female to 7mm Sexless Adapter PE9459](http://www.pasternack.com/2.4mm-female-7mm-sexless-straight-adapter-pe9459-p.aspx)

URL: <http://www.pasternack.com/2.4mm-female-7mm-sexless-straight-adapter-pe9459-p.aspx>

The information contained in this document is accurate to the best of our knowledge and representative of the part described herein. It may be necessary to make modifications to the part and/or the documentation of the part, in order to implement improvements. Pasternack reserves the right to make such changes as required. Unless otherwise stated, all specifications are nominal.

PE9459 CAD Drawing

Precision 2.4mm Female to 7mm Sexless Adapter



DWG TITLE

PE9459

NOTES:
1. UNLESS OTHERWISE SPECIFIED ALL DIMENSIONS ARE NOMINAL.
2. ALL SPECIFICATIONS ARE SUBJECT TO CHANGE WITHOUT NOTICE AT ANY TIME.
3. DIMENSIONS ARE IN INCHES [mm].

REV. -

FSCM NO. 53919

CAD FILE 010306

SCALE N/A

SIZE A

127

PASTERNAK ENTERPRISES, INC.

P O BOX 16759, IRVINE, CA 92623
PHONE (949) 261-1920 FAX (949) 261-7451

WEB ADDRESS: www.pasternack.com
E-MAIL ADDRESS: sales@pasternack.com

COAXIAL & FIBER OPTICS

