



## Precision 2.4mm Female to SMP Female Adapter

### TECHNICAL DATA SHEET

PE91055

#### Precision 2.4mm Female to SMP Female Adapter

##### Configuration

Connector 1	2.4mm Female
Impedance 1	50 Ohms
Connector Specification 1	MIL-STD-348
Connector 2	SMP Female
Impedance 2	50 Ohms
Connector Specification 2	DESC94007
Adapter Design	Precision
Body Style	Straight

##### Electrical Specifications

Frequency Range, GHz	DC to 40
Maximum VSWR	1.25:1

##### Mechanical Specifications

###### Temperature

Operating Range, deg C	-55 to +125
------------------------	-------------

###### Size

Length, in [mm]	0.815 [20.7]
Width/Dia., in [mm]	0.25 [6.35]

##### Connector 1

Type	2.4mm Female
Inner Conductor Material and Plating	Beryllium Copper, Gold
Inner Conductor Plating Specification	MIL-G-45204, Type I, Grade 1, Class A
Body Material and Plating	Beryllium Copper, Gold
Body Plating Specification	MIL-G-45204, Type I, Grade 1, Class A
Dielectric Type	PTFE

##### Connector 2

Type	SMP Female
Inner Conductor Material and Plating	Beryllium Copper, Gold
Inner Conductor Plating Specification	MIL-G-45204, Type I, Grade 1, Class A
Body Material and Plating	Beryllium Copper, Gold
Body Plating Specification	MIL-G-45204, Type I, Grade 1, Class A
Dielectric Type	PTFE

##### Compliance Certifications (visit [www.Pasternack.com](http://www.Pasternack.com) for current document)

RoHS Compliant	Yes
----------------	-----

Click the following link (or enter part number in "SEARCH" on website) to obtain additional part information including price, inventory and certifications: [Precision 2.4mm Female to SMP Female Adapter PE91055](#)

The information contained in this document is accurate to the best of our knowledge and representative of the part described herein. It may be necessary to make modifications to the part and/or the documentation of the part, in order to implement improvements. Pasternack reserves the right to make such changes as required. Unless otherwise stated, all specifications are nominal.



## Precision 2.4mm Female to SMP Female Adapter

### TECHNICAL DATA SHEET

PE91055

#### Plotted and Other Data

Notes:

Values at 25 °C, sea level

Precision 2.4mm Female to SMP Female Adapter from Pasternack Enterprises has same day shipment for domestic and International orders. Our RF, microwave and fiber optic products maintain a 99% availability and are part of the broadest selection in the industry.

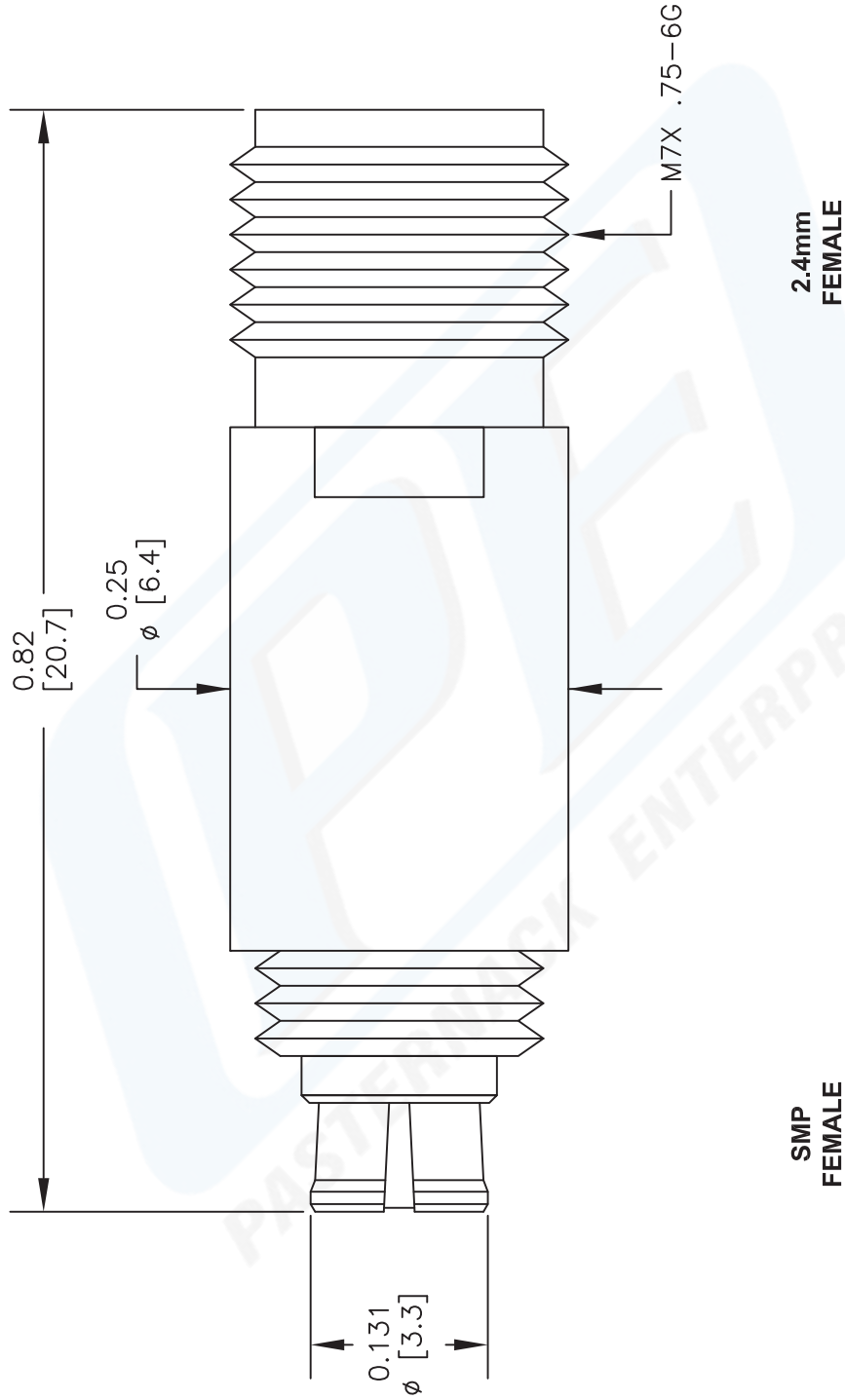
Click the following link (or enter part number in "SEARCH" on website) to obtain additional part information including price, inventory and certifications: [Precision 2.4mm Female to SMP Female Adapter PE91055](http://www.pasternack.com/2.4mm-female-smp-female-straight-adapter-pe91055-p.aspx)

URL: <http://www.pasternack.com/2.4mm-female-smp-female-straight-adapter-pe91055-p.aspx>

The information contained in this document is accurate to the best of our knowledge and representative of the part described herein. It may be necessary to make modifications to the part and/or the documentation of the part, in order to implement improvements. Pasternack reserves the right to make such changes as required. Unless otherwise stated, all specifications are nominal.

# PE91055 CAD Drawing

Precision 2.4mm Female to SMP Female Adapter



NOTES:  
 1. UNLESS OTHERWISE SPECIFIED ALL DIMENSIONS ARE NOMINAL.  
 2. ALL SPECIFICATIONS ARE SUBJECT TO CHANGE WITHOUT NOTICE AT ANY TIME.  
 3. DIMENSIONS ARE IN INCHES [mm].

DWG TITLE  
**PE91055**

FSCM NO. 53919

CAD FILE 020813

SCALE N/A

SIZE A

2233

**PE PASTERNAK**  
 Pasternack Enterprises, Inc.  
 P.O. Box 16759 | Irvine | CA | 92623  
 Phone: (949) 261-1920 | Fax: (949) 261-7451  
 Website: www.pasternack.com | E-Mail: sales@pasternack.com