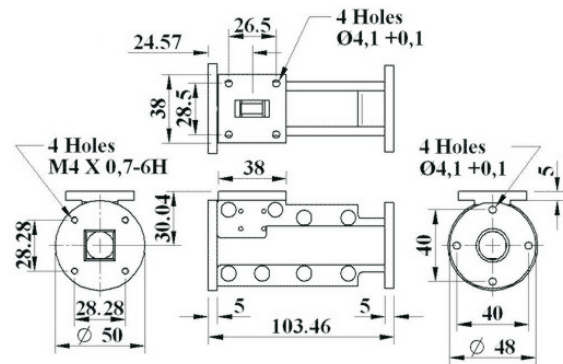
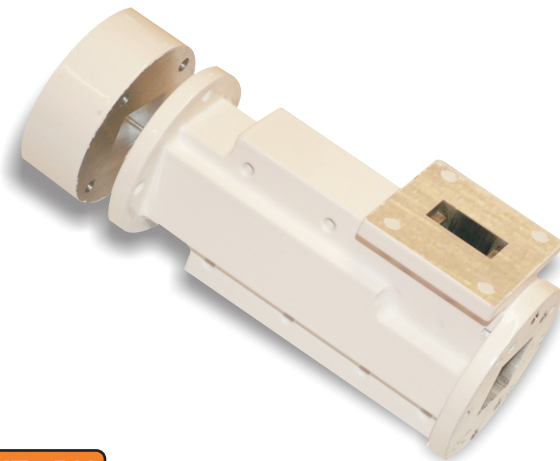


VSAT OMT

Single Polarity Transmit Dual Polarity Receive KU Band OMT



global invacom
completing the picture



OMT-1DU

Designed for use within the Global Invacom VSAT ODU, this compact KU band OMT allows both co-polar and orthogonal polarisation use (transmit and receive on the same or opposite polarities).

If used with a dual polarity VSAT LNB, the OMT allows single polarity transmit and dual polarity receive.

The OMT is supplied with a C120 to WG17 matching transformer for LNBs with a WG17 flange.

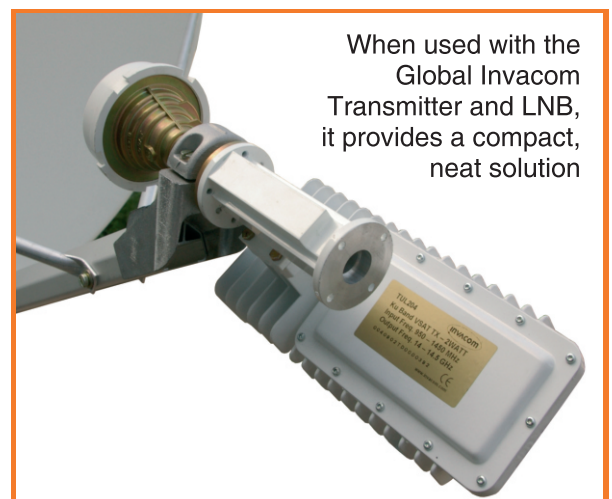
The OMT should be used with Global Invacom's range of VSAT LNBs that include additional transmit reject filtering. If used with another manufacturer's LNB, an additional transmit reject filter will be required between the OMT and LNB.

The unit has WR75 flanged ports at the Transmit and Receive inputs and a C120 flange at the feedhorn port. The transmit port is the side port of the OMT.

The OMT is supplied with an 'O' ring for the C120 flange.

Specification

1. Waveguide Interfaces	
Feedhorn Port	C120 with M3 threaded holes
Transmitter Port	WR 75 with M3 through holes
LNB Port	WR 75 with M3 through holes
2. Frequency	
Transmit, side port	13.75 - 14.5 GHz
Receive, rear port	10.95 - 12.75 GHz
3. Return Loss	
Transmit port	15 dB min
Receive port	10 dB min
4. Isolation TX to RX @ 10.7 - 12.75 GHz	
Same polarisation	50 dB
Orthogonal Polarisation	85 dB
5. Isolation RX to TX @ 13.75 - 14.5 GHz	
Same polarisation	25 dB
Orthogonal Polarisation	60 dB
6. Insertion Loss	
TX port to RX port	0.2 dB
RX port to feedhorn port	0.3 dB
7. Maximum Input Power	
TX port to feedhorn	36 dB
8. Operating Temperature	-40 to +75°C
9. Weight	280g



When used with the Global Invacom Transmitter and LNB, it provides a compact, neat solution

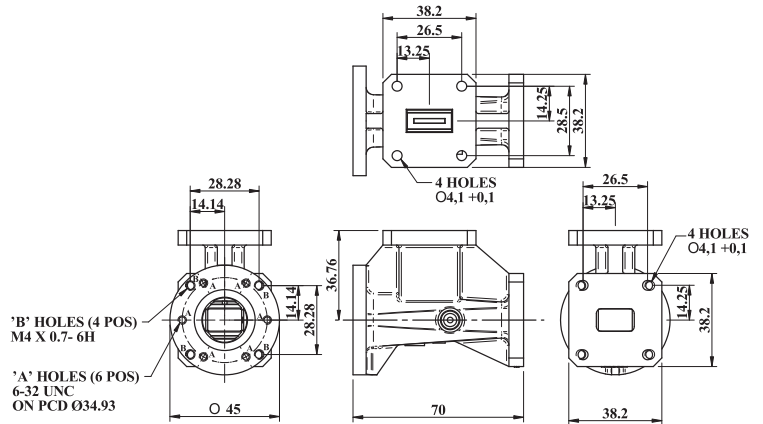
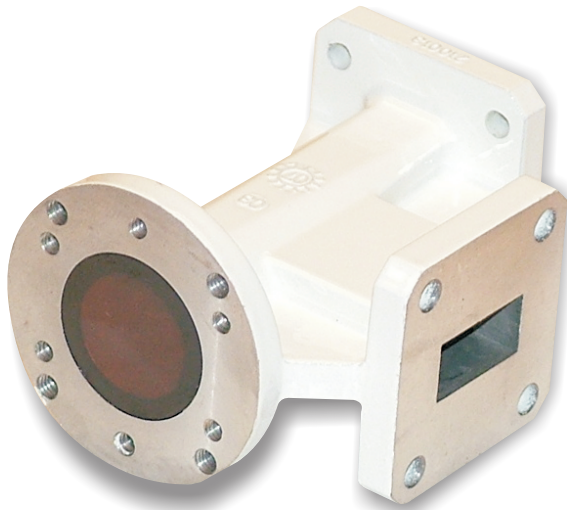
Patent Pending

VSAT OMT

KU Band VSAT OMT



global invacom
completing the picture



OMT-1SU

Designed for use within the Global Invacom VSAT ODU this compact KU band OMT is light weight and aesthetically pleasing.

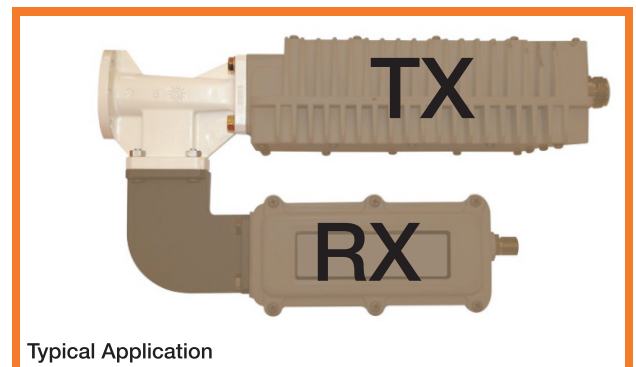
Easy to install and practical it compliments the Global Invacom range of Transmitters and VSAT WG75 LNBS providing a fully integrated solution.

The unit has WR75 flanged ports at the transmit and receive inputs. The transmit port is the end port of the OMT.

See also specifications for, VSAT Transmitters TUL-051, TUL-101 and TUL-201 and for VSAT LNBS SPV-30SM, SPV-31SH, SPV-40SH and SPV-41SM.

Specification

1. Waveguide Interfaces	
Feedhorn Port	C120 with M3 threaded holes
Transmitter Port	WR 75 with M3 through holes
LNB Port	WR 75 with M3 through holes
2. Frequency	
Transmit, side port	13.75 - 14.5 GHz
Receive, rear port	10.7 - 12.75 GHz
3. Return Loss	
Transmit port	22dB Typ
Receive port	20dB Typ
Feedhorn port	20dB Typ
4. Isolation TX port to RX port at TX frequency	35 dB
5. Cross Polarisation	
Transmit	35 dB
Receive	35 dB
6. Insertion Loss	
TX port to RX port	0.2 dB
RX port to Feedhorn port	0.2 dB
7. Maximum Input Power	
TX port to Feedhorn	50 dBm
8. Operating Temperature	-40 to +75°C
9. Weight	95g



Patent Pending