



Precision SMA Male to 2.4mm Male Adapter

TECHNICAL DATA SHEET

PE9653

**Precision SMA Male to 2.4mm Male Adapter**

**Configuration**

Connector 1	SMA Male
Impedance 1	50 Ohms
Connector Specification 1	MIL-STD-348
Connector 2	2.4mm Male
Impedance 2	50 Ohms
Adapter Design	Precision
Body Style	Straight

**Electrical Specifications**

Frequency Range, GHz	DC to 26.5
Maximum VSWR	1.2:1

**Mechanical Specifications**

**Temperature**

Operating Range, deg C	-65 to +125
------------------------	-------------

**Size**

Length, in [mm]	0.79 [20.07]
Width/Dia., in [mm]	0.312 [7.92]

**Connector 1**

Type	SMA Male
Inner Conductor Material and Plating	Beryllium Copper, Gold
Coupling Nut Material and Plating	Passivated Stainless Steel
Hex Size, in.	5/16
Torque, in-lbs [Nm]	8 [0.9]
Body Material and Plating	Passivated Stainless Steel

**Connector 2**

Type	2.4mm Male
Inner Conductor Material and Plating	Beryllium Copper, Gold
Coupling Nut Material and Plating	Passivated Stainless Steel
Hex Size, in.	5/16
Torque, in-lbs [Nm]	8 [0.9]
Body Material and Plating	Passivated Stainless Steel

**Compliance Certifications** (visit [www.Pasternack.com](http://www.Pasternack.com) for current document)

RoHS Compliant	Yes
----------------	-----

Click the following link (or enter part number in "SEARCH" on website) to obtain additional part information including price, inventory and certifications: [Precision SMA Male to 2.4mm Male Adapter PE9653](#)

The information contained in this document is accurate to the best of our knowledge and representative of the part described herein. It may be necessary to make modifications to the part and/or the documentation of the part, in order to implement improvements. Pasternack reserves the right to make such changes as required. Unless otherwise stated, all specifications are nominal.



Precision SMA Male to 2.4mm Male Adapter



TECHNICAL DATA SHEET

PE9653

**Plotted and Other Data**

Notes:

Values at 25 °C, sea level

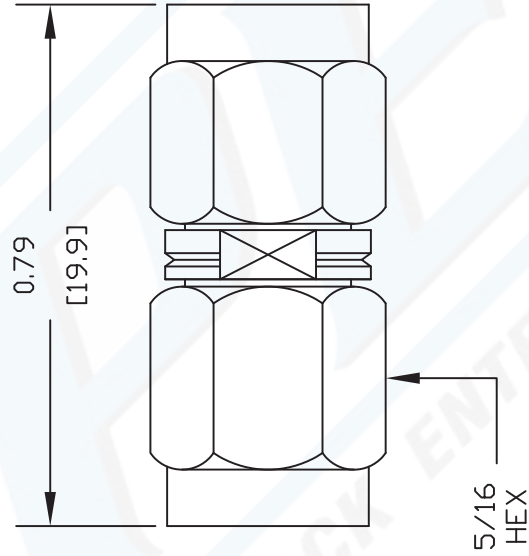
URL: <http://www.pasternack.com/sma-male-2.4mm-male-straight-adapter-pe9653-p.aspx>

Precision SMA Male to 2.4mm Male Adapter from Pasternack Enterprises has same day shipment for domestic and International orders. Our RF, microwave and fiber optic products maintain a 99% availability and are part of the broadest selection in the industry.

The information contained in this document is accurate to the best of our knowledge and representative of the part described herein. It may be necessary to make modifications to the part and/or the documentation of the part, in order to implement improvements. Pasternack reserves the right to make such changes as required. Unless otherwise stated, all specifications are nominal.

# PE9653 CAD Drawing

## Precision SMA Male to 2.4mm Male Adapter



NOTES:  
 1. UNLESS OTHERWISE SPECIFIED ALL DIMENSIONS ARE NOMINAL.  
 2. ALL SPECIFICATIONS ARE SUBJECT TO CHANGE WITHOUT NOTICE AT ANY TIME.  
 3. DIMENSIONS ARE IN INCHES (mm).

DWG TITLE  
**PE9653**

**PASTERNAK ENTERPRISES, INC.**  
 P.O. BOX 16759, IRVINE, CA 92623  
 PHONE (949) 261-1920 FAX (949) 261-7451  
 WEB ADDRESS: [www.pasternack.com](http://www.pasternack.com)  
 E-MAIL ADDRESS: [sales@pasternack.com](mailto:sales@pasternack.com)  
**COAXIAL & FIBER OPTICS**



REV. -	FSCM NO. 53919	CAD FILE 010903	SCALE N/A	SIZE A	127
--------	----------------	-----------------	-----------	--------	-----