



Precision 2.4mm Male to 2.4mm Male Adapter

TECHNICAL DATA SHEET

PE9451

**Precision 2.4mm Male to 2.4mm Male Adapter**

**Configuration**

Connector 1	2.4mm Male
Impedance 1	50 Ohms
Connector 2	2.4mm Male
Impedance 2	50 Ohms
Adapter Design	Precision
Body Style	Straight

**Electrical Specifications**

Frequency Range, GHz	DC to 50
Maximum VSWR	1.3:1

**Frequency 1**

Frequency, GHz	DC to 18
VSWR	1.1:1

**Frequency 2**

Frequency, GHz	18 to 26.5
VSWR	1.2:1

**Mechanical Specifications**

**Size**

Length, in [mm]	0.83 [21.08]
Width/Dia., in [mm]	0.312 [7.92]

**Connector 1**

Type	2.4mm Male
Hex Size, in.	5/16

**Connector 2**

Type	2.4mm Male
Hex Size, in.	5/16

**Compliance Certifications** (visit [www.Pasternack.com](http://www.Pasternack.com) for current document)

RoHS Compliant	Yes
----------------	-----

**Plotted and Other Data**

Notes: Values at 25 °C, sea level

URL: <http://www.pasternack.com/2.4mm-male-2.4mm-male-straight-adapter-pe9451-p.aspx>

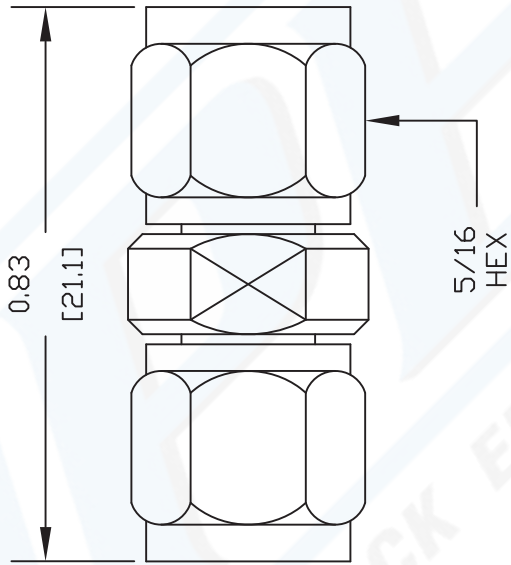
Precision 2.4mm Male to 2.4mm Male Adapter from Pasternack Enterprises has same day shipment for domestic and International orders. Our RF, microwave and fiber optic products maintain a 99% availability and are part of the broadest selection in the industry.

The information contained in this document is accurate to the best of our knowledge and representative of the part described herein. It may be necessary to make modifications to the part and/or the documentation of the part, in order to implement improvements. Pasternack reserves the right to make such changes as required. Unless otherwise stated, all specifications are nominal.



# PE9451 CAD Drawing

## Precision 2.4mm Male to 2.4mm Male Adapter



NOTES:  
 1. UNLESS OTHERWISE SPECIFIED ALL DIMENSIONS ARE NOMINAL.  
 2. ALL SPECIFICATIONS ARE SUBJECT TO CHANGE WITHOUT NOTICE AT ANY TIME.  
 3. DIMENSIONS ARE IN INCHES [mm].

DWG TITLE  
**PE9451**

**PASTERNAK ENTERPRISES, INC.**  
 P O BOX 16759, IRVINE, CA 92623  
 PHONE (949) 261-1920 FAX (949) 261-7451  
 WEB ADDRESS: [www.pasternack.com](http://www.pasternack.com)  
 E-MAIL ADDRESS: [sales@pasternack.com](mailto:sales@pasternack.com)  
**COAXIAL & FIBER OPTICS**



REV. -	FSCM NO. 53919	CAD FILE 101702	SCALE N/A	SIZE A	127
--------	----------------	-----------------	-----------	--------	-----