

Evolution Power supply 3-phase, primary switched IN: 360-520VAC OUT: 22-28V/5ADC

OUTPUT: 22...28 V DC
 INPUT: 360...520 V AC / 480...745 V DC
 Current: 5 A

Image

- stable output voltage, short-circuit and overload protected
- Wide voltage input
- Protection IP20

Vicarious picture

Approvals**Input**

Voltage range	3 × 324...572 V AC/480...745 V DC
Input current	3 × 0.3 A
Inrush current after 1 ms	max. 10 A
External fuse	max. 3 × 10 A
Frequency	50/60 Hz

Output

Output voltage	24 V DC (SELV), ±1 %; 22...28 V adjustable
Output current	5 A (+55 °C); 3 A (+70 °C)
Powerboost	+50 % (min. 4 sec.)
Hold up time	>= 30 ms (400 V AC)
Ripple	max. 50 mV rms
Short-circuit and overload protection	yes
Spikes	max. 100 mV ss
LED display	LED (green): OK; LED (red): overload
Parallel usage/serial usage	yes/yes

General data

Standards	(EN 60950-1), (EN 61204-3), (EN 55022 B), (EN 61000-3-2)
Temperature range	-25...+60 °C (storage temperature -40...+85 °C)
Relative humidity	5...95 %, no condensation
Efficiency	86 %
Mounting method	DIN-rail mountable TH35 (EN 60715)
Dimensions H × W × D	132 × 83 × 98 mm

Commercial data

Net weight	1000
Weight unit	gram
Basic unit	pc.
Customs tariff number	85044090
Unit (piece)	1
Limited value	1

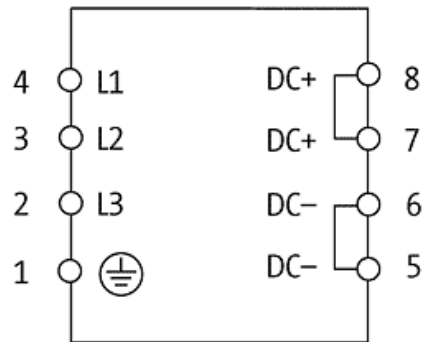
Comments

This switch mode power supplies meet the (EN 61000-3-2) standard for harmonic current.

All data on this data sheet was compiled carefully.

Liability regarding correctness, completeness, and actuality is limited to gross negligence. Created: 11/12

Circuit diagram



Dimension drawing

