

**JUMO GmbH & Co. KG**  
 Delivery address: Mackenrodtstraße 14  
 36039 Fulda, Germany  
 Postal address: 36035 Fulda, Germany  
 Phone: +49 661 6003-0  
 Fax: +49 661 6003-607  
 E-mail: mail@jumo.net  
 Internet: www.jumo.net

**JUMO Instrument Co. Ltd.**  
 JUMO House  
 Temple Bank, Riverway  
 Harlow, Essex CM20 2DY, UK  
 Phone: +44 1279 635533  
 Fax: +44 1279 635262  
 E-mail: sales@jumo.co.uk  
 Internet: www.jumo.co.uk

**JUMO Process Control, Inc.**  
 6733 Myers Road  
 East Syracuse, NY 13057, USA  
 Phone: 315-437-5866  
 1-800-554-5866  
 Fax: 315-437-5860  
 E-mail: info.us@jumo.net  
 Internet: www.jumousa.com



# JUMO dTRANS p20 DELTA

## Differential pressure transmitter

### Brief description

The JUMO dTRANS p20 DELTA differential pressure transmitter with HART® interface combines maximum precision with simple operation. It is used to measure the differential pressure of gases, vapors and liquids. The integrated LCD shows measurements and device data. In the version with "Ex ia (intrinsically safe)" explosion protection, the differential pressure transmitter can be fitted up to zone 0.

The housing and sensors are made from high-quality stainless steel. It is also possible to connect remote seals for special process engineering applications (see data sheets 409772 to 409784).

The transmitter is programmable, making it readily adaptable to a variety of different measurement tasks. A user-friendly setup program is available as an accessory, for operation via interfaces. A rotary knob ensures highly convenient and fast local, manual operation.

For the "Ex d" explosion protection version, see data sheet 403023.

For the relative and absolute pressure version, see data sheet 403025 and 403026.



Type 403022/0-0-1-...

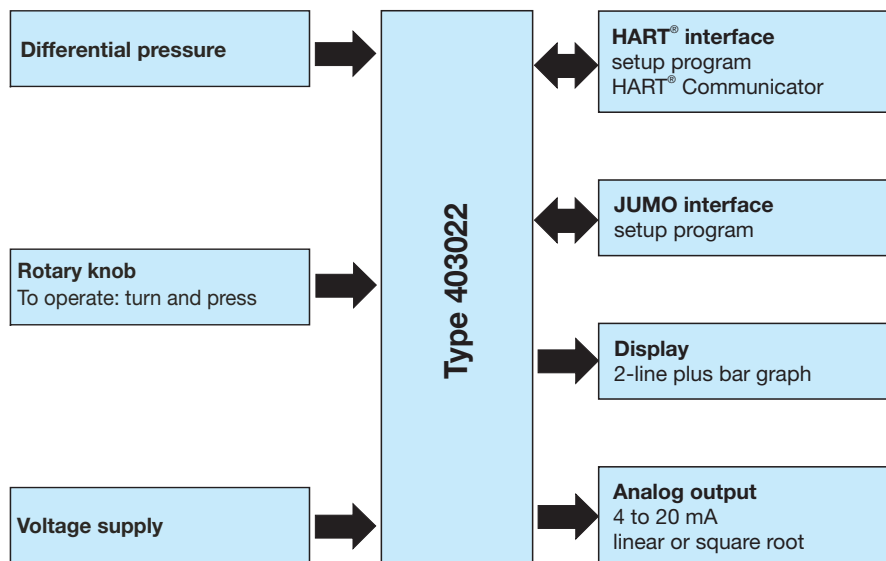


Type 403022/0-0-2-...



Type 403022/0-0-3-...

### Block diagram



### Key features

- Stainless steel housing
- HART® interface
- Ex ia explosion protection (gas and dust) according to ATEX, INMETRO and GOST-R
- 0.07 % linearity
- Rotary knob for ease of operation
- Setup program
- LCD display with bar graph
- Display scaling with a choice of measurement units
- Display of sensor temperature
- Display of minimum and maximum pressures
- Current sensor function
- Characteristic and display also adjustable for flow measurement

### Approvals/marks of conformity (see Technical data)



**JUMO GmbH & Co. KG**  
 Delivery address: Mackenrodtstraße 14  
 36039 Fulda, Germany  
 Postal address: 36035 Fulda, Germany  
 Phone: +49 661 6003-0  
 Fax: +49 661 6003-607  
 E-mail: mail@jumo.net  
 Internet: www.jumo.net

**JUMO Instrument Co. Ltd.**  
 JUMO House  
 Temple Bank, Riverway  
 Harlow, Essex CM20 2DY, UK  
 Phone: +44 1279 635533  
 Fax: +44 1279 635262  
 E-mail: sales@jumo.co.uk  
 Internet: www.jumo.co.uk

**JUMO Process Control, Inc.**  
 6733 Myers Road  
 East Syracuse, NY 13057, USA  
 Phone: 315-437-5866  
 1-800-554-5866  
 Fax: 315-437-5860  
 E-mail: info.us@jumo.net  
 Internet: www.jumousa.com



## Technical data

### General

Reference conditions	DIN 16086, DIN EN 60770 and DIN IEC 770/5.3
Sensor system	Silicon sensor with stainless steel separating diaphragm
Pressure transfer medium	
For measuring system filling medium 1	Silicon oil
For measuring system filling medium 2	Halogenized filling oil
Permissible load change	> 10 million
Location	
Mounting position	Any
Calibration position	Device standing vertically, process connection on bottom
Position-dependent zero point offset	≤ 1 mbar Zero point calibration possible locally or via setup.
Display	LCD, two-line with bar graph
Alignment	Display unit can be rotated 90° at a time Housing can be rotated ±160°
Size	Display field 22 × 35 mm/font size 7 mm/5-digit
Color	Black
Measurement unit display options	
Input pressure	inH <sub>2</sub> O, inHg, ftH <sub>2</sub> O, mmH <sub>2</sub> O, mmHg, psi, bar, mbar, kg/cm <sup>2</sup> , kPa, Torr, MPa, mH <sub>2</sub> O
Measurement value	% or scaled with a freely adjustable measurement unit
Output current	mA
Sensor temperature	°C; °F
Additional display data	Minimum pressure, maximum pressure, error, overrange, underrange, operating hours
Operation	
Local	With rotary knob and LCD
Setup program	Via interface
Interface	
Standard	JUMO interface <sup>a</sup> , socket at front
For output 410 (4 to 20 mA with HART®)	JUMO interface <sup>a</sup> and HART® interface

<sup>a</sup> The JUMO interface must not be used for instruments with ATEX Ex ia explosion protection! These instruments can be operated by the rotary knob or via the HART® interface.

### Input

Nominal pressure					
Nominal measuring range	-10 to +10 mbar DP	-1 to +1 bar DP	0 to +1 bar DP	-1 to +6 bar DP	-1 to +100 bar DP
Nominal pressure (bar)	PN2	PN210	PN210, optional PN420		

### Output

Analog output	
For output 405	4 to 20 mA, two wires
For output 410	4 to 20 mA, two wires with HART®
Step response time T <sub>60</sub>	≤ 190 ms without damping
Damping	adjustable, 0 to 100 s
Burden	
For output 405 (4 to 20 mA)	Burden ≤ (U <sub>B</sub> -11.5 V) ÷ 0.022 A
For output 410 (4 to 20 mA with HART®)	Burden ≤ (U <sub>B</sub> -11.5 V) ÷ 0.022 A; additional: min. 250 Ω, max. 1100 Ω

**JUMO GmbH & Co. KG**  
 Delivery address: Mackenrodtstraße 14  
 36039 Fulda, Germany  
 Postal address: 36035 Fulda, Germany  
 Phone: +49 661 6003-0  
 Fax: +49 661 6003-607  
 E-mail: mail@jumo.net  
 Internet: www.jumo.net

**JUMO Instrument Co. Ltd.**  
 JUMO House  
 Temple Bank, Riverway  
 Harlow, Essex CM20 2DY, UK  
 Phone: +44 1279 635533  
 Fax: +44 1279 635262  
 E-mail: sales@jumo.co.uk  
 Internet: www.jumo.co.uk

**JUMO Process Control, Inc.**  
 6733 Myers Road  
 East Syracuse, NY 13057, USA  
 Phone: 315-437-5866  
 1-800-554-5866  
 Fax: 315-437-5860  
 E-mail: info.us@jumo.net  
 Internet: www.jumousa.com



**Voltage supply**

For version	
Explosion protection 0 (none)	DC 11.5 to 36 V
Explosion protection 1 (ATEX Ex ia)	DC 11.5 to 28 V
	The voltage supply must be intrinsically safe and must not exceed the following maximum values: $U_i \leq DC 28 V$ $I_i \leq 93 mA$ $P_i \leq 750 mW$

**Mechanical properties**

Process connection	
Materials	
Membrane	
For process connection 20 (Edelstahl)	Stainless steel 316L
For process connection 82 (Hastelloy®)	Hastelloy® C276, mat. no.: 2.4819
For process connection 80 (tantalum)	Tantalum
Flange	Stainless steel 316
Seal	PTFE
Housing	
Material	
For housing 1 (short, stainless steel)	Stainless steel 1.4404
For housing 2 (long, stainless steel)	Stainless steel 1.4404, VMQ
For housing 3 (precision casting)	Precision casting 1.4408
For cover material 20 (stainless steel)	Precision casting 1.4408, seal FPM
For cover material 85 (plastic)	PA, FPM seal
For electrical connection 36 (M12 x 1 round plug)	Nickel-plated brass
For electrical connection 82 (cable gland, plastic)	PA
For electrical connection 93 (cable gland, metal)	Nickel-plated brass
For operation 0 (without control knob)	-
For operation 1 (with control knob)	PA
Explosion protection	
For explosion protection 0 (none)	The instrument is <b>not</b> approved for use in hazardous (Ex) areas.
For explosion protection 1 (ATEX Ex ia)	EC type examination certificate SEV 09 ATEX 0138 X II 1G Ex ia IIC T4 Ga II 1D Ex ia IIIC T105 °C Da
Weight	
Type 403022/0-0-1 (short housing)	Approx. 3.0 kg
Type 403022/0-0-2 (long housing)	Approx. 3.3 kg
Type 403022/0-0-3 (precision casting housing)	Approx. 4.0 kg
For extra code 694 (increased nominal pressure)	The instrument weight increases by approx. 3.8 kg.

**Ambient conditions**

Permissible temperatures	Operation				
	Version	Category	Max. medium temperature	Ambient temperature <sup>a</sup>	Extended ambient temperature (extra code 681) <sup>a, b</sup>
	Standard		+110 °C	-40 to +85 °C	-50 to +85 °C
	II 1G Ex ia	T4	+100 °C	-40 to +60 °C	-50 to +60 °C
	II 1D Ex ia	T105 °C	+100 °C	-40 to +60 °C	-50 to +60 °C
Storage	-40 to +85 °C				

**JUMO GmbH & Co. KG**  
 Delivery address: Mackenrodtstraße 14  
 36039 Fulda, Germany  
 Postal address: 36035 Fulda, Germany  
 Phone: +49 661 6003-0  
 Fax: +49 661 6003-607  
 E-mail: mail@jumo.net  
 Internet: www.jumo.net

**JUMO Instrument Co. Ltd.**  
 JUMO House  
 Temple Bank, Riverway  
 Harlow, Essex CM20 2DY, UK  
 Phone: +44 1279 635533  
 Fax: +44 1279 635262  
 E-mail: sales@jumo.co.uk  
 Internet: www.jumo.co.uk

**JUMO Process Control, Inc.**  
 6733 Myers Road  
 East Syracuse, NY 13057, USA  
 Phone: 315-437-5866  
 1-800-554-5866  
 Fax: 315-437-5860  
 E-mail: info.us@jumo.net  
 Internet: www.jumousa.com



Permissible relative humidity	
Operation	100 % incl. condensation on instrument outer sleeve
Storage	90 % without condensation
Permissible mechanical loading	
Vibration performance	2 g, 10 to 500 Hz to DIN EN 60770-3
Shock resistance	15 g for 6 ms to IEC 60068-2-29
Electromagnetic compatibility	To EN 61326
Interference emission	Class B
Interference resistance	Industry
Protection	
Version	
Explosion protection 0 (none)	IP67 to DIN EN 60529
Explosion protection 1 (ATEX Ex ia)	IP66 to DIN EN 60529

- a Restricted function below -20 °C: stationary use, increased danger of broken cable, display does not function; device cannot be operated when temperature is under -30 °C.
- b In the range of -40 to -50 °C, the cover with the instrument viewing pane must also be protected against mechanical shock and impact. For details please contact JUMO

**Accuracy**

Differential pressure					
Nominal measuring range	-10 to +10 mbar DP	-1 to +1 bar DP	0 to 1 bar DP	-1 to +6 bar DP	-1 to +100 bar DP
Factory setting for measuring range	0 to 10 mbar	0 to 1 bar		0 to 6 bar	0 to 100 bar
Minimum span	1 mbar	5 mbar		0.350 bar	2.5 bar
Turndown ratio (r)	$r \leq 20$	$r \leq 400$	$r \leq 200$	$r \leq 20$	$r \leq 40.4$
Linearity for linear characteristic as % of the set span	0.1 % for $r \leq 2$	0.07 % for $r \leq 10$		0.07 % for $r \leq 5$	
	$r \times 0.05$ % for $2 \leq r \leq 20$	$r \times 0.007$ % for $10 \leq r \leq 400$	$r \times 0.007$ % for $10 \leq r \leq 200$	$r \times 0.014$ % for $5 \leq r \leq 20$	$r \times 0.014$ % for $5 \leq r \leq 40.4$
Accuracy at +20°C as % of the set span	0.2 % for $r \leq 2$	0.1 % for $r \leq 10$		0.1 % for $r \leq 5$	
	$r \times 0.1$ % for $2 \leq r \leq 20$	$r \times 0.01$ % für $10 \leq r \leq 400$	$r \times 0.01$ % for $10 \leq r \leq 200$	$r \times 0.02$ % for $5 \leq r \leq 20$	$r \times 0.02$ % for $5 \leq r \leq 40.4$
Accuracy at -20 to +85 °C as % of the set span	0.5 % for $r \leq 2$ (up to +60 °C)	0.2 % for $r \leq 10$		0.2 % for $r \leq 5$	
	$r \times 0.25$ % for $2 \leq r \leq 20$ (up to +60 °C)	$r \times 0.02$ % for $10 \leq r \leq 400$	$r \times 0.02$ % for $10 \leq r \leq 200$	$r \times 0.04$ % for $5 \leq r \leq 20$	$r \times 0.04$ % for $5 \leq r \leq 40.4$
Accuracy at -40 to +20 °C as % of the set span	1.0 % for $r \leq 2$	0.6 % for $r \leq 10$		0.6 % for $r \leq 5$	
	$r \times 0.5$ % for $2 \leq r \leq 20$	$r \times 0.06$ % for $10 \leq r \leq 400$	$r \times 0.06$ % for $10 \leq r \leq 200$	$r \times 0.12$ % for $5 \leq r \leq 20$	$r \times 0.12$ % for $5 \leq r \leq 40.4$
Accuracy at +60 to +85 °C as % of the set span	2.0 % for $r \leq 2$				
	$r \times 1.0$ % for $2 \leq r \leq 20$				
Effect of static pressure P (bar) as % of nominal measuring range	$\leq 1$ %	$\leq P \times 0.0005$ %	$\leq P \times 0.0003$ %	$\leq P \times 0.0025$ %	$\leq P \times 0.001$ %
Long-term stability as % of nominal measuring range	$\leq 0.6$ %/year	$\leq 0.1$ %/year			$\leq 0.2$ %/year

**JUMO GmbH & Co. KG**

Delivery address: Mackenrodtstraße 14  
36039 Fulda, Germany  
Postal address: 36035 Fulda, Germany  
Phone: +49 661 6003-0  
Fax: +49 661 6003-607  
E-mail: mail@jumo.net  
Internet: www.jumo.net

**JUMO Instrument Co. Ltd.**

JUMO House  
Temple Bank, Riverway  
Harlow, Essex CM20 2DY, UK  
Phone: +44 1279 635533  
Fax: +44 1279 635262  
E-mail: sales@jumo.co.uk  
Internet: www.jumo.co.uk

**JUMO Process Control, Inc.**

6733 Myers Road  
East Syracuse, NY 13057, USA  
Phone: 315-437-5866  
1-800-554-5866  
Fax: 315-437-5860  
E-mail: info.us@jumo.net  
Internet: www.jumousa.com

**Approvals/marks of conformity**

Mark of conformity	Testing laboratory	Certificate/certification number	Test basis	Valid for
ATEX	electrosuisse	SEV 09 ATEX 0138 X	EN 60079-0 EN 60079-11 EN 60079-26	403022/x-1-...
INMETRO	CEPEL	CEPEL 13.2213X	IEC 60079 IEC 60529	Extra code 227
GOST-R				

**JUMO GmbH & Co. KG**  
 Delivery address: Mackenrodtstraße 14  
 36039 Fulda, Germany  
 Postal address: 36035 Fulda, Germany  
 Phone: +49 661 6003-0  
 Fax: +49 661 6003-607  
 E-mail: mail@jumo.net  
 Internet: www.jumo.net

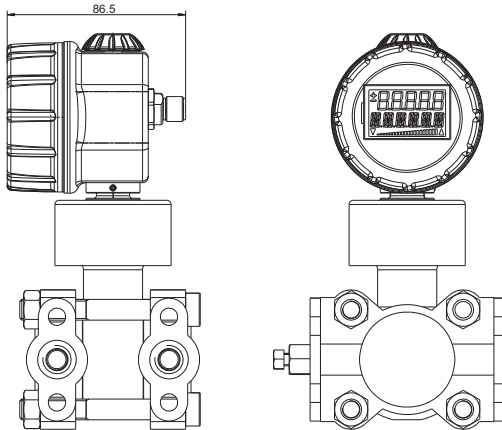
**JUMO Instrument Co. Ltd.**  
 JUMO House  
 Temple Bank, Riverway  
 Harlow, Essex CM20 2DY, UK  
 Phone: +44 1279 635533  
 Fax: +44 1279 635262  
 E-mail: sales@jumo.co.uk  
 Internet: www.jumo.co.uk

**JUMO Process Control, Inc.**  
 6733 Myers Road  
 East Syracuse, NY 13057, USA  
 Phone: 315-437-5866  
 1-800-554-5866  
 Fax: 315-437-5860  
 E-mail: info.us@jumo.net  
 Internet: www.jumousa.com

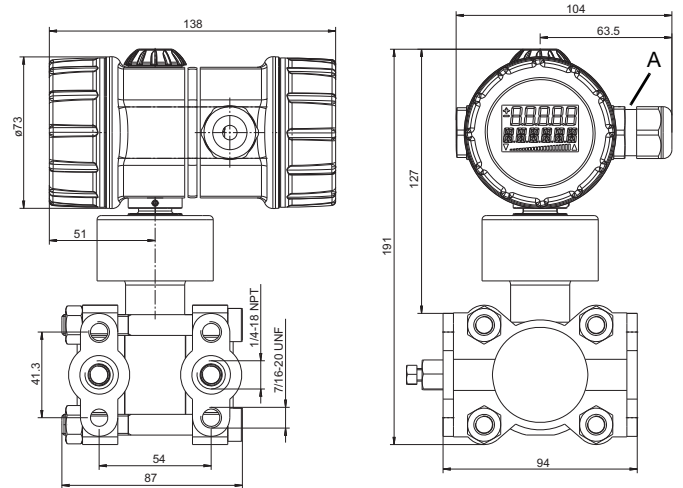


## Dimensions

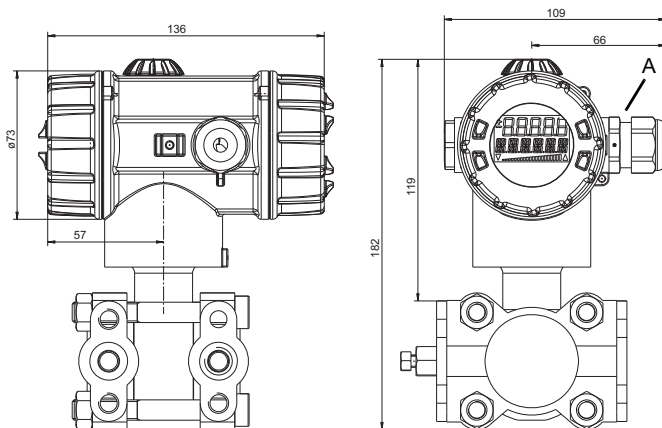
**Type 403022/0-0-1 (short, stainless steel, with M12 connection)**



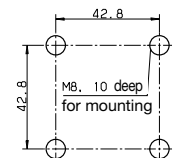
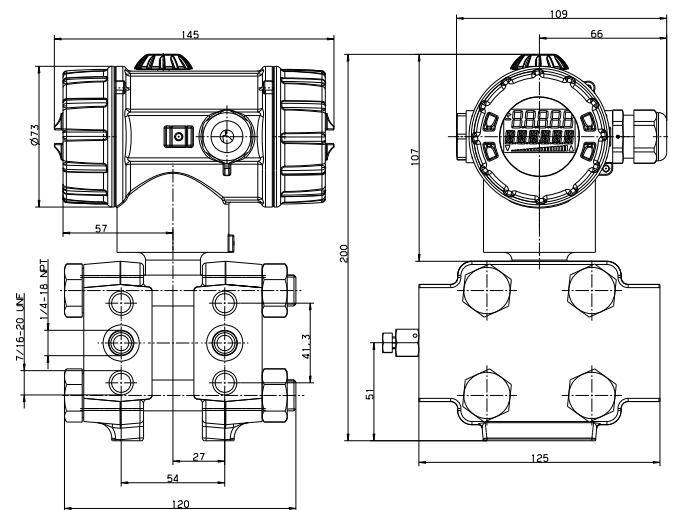
**Type 403022/0-0-2 (long, stainless steel, with cable gland)**



**Type 403022/0-0-3 (precision casting, with cable gland)**



**For extra code 694 (increased nominal pressure PN420)**



A = Cable gland M20 x 1.5

**JUMO GmbH & Co. KG**

Delivery address: Mackenrodtstraße 14  
36039 Fulda, Germany  
Postal address: 36035 Fulda, Germany  
Phone: +49 661 6003-0  
Fax: +49 661 6003-607  
E-mail: mail@jumo.net  
Internet: www.jumo.net

**JUMO Instrument Co. Ltd.**

JUMO House  
Temple Bank, Riverway  
Harlow, Essex CM20 2DY, UK  
Phone: +44 1279 635533  
Fax: +44 1279 635262  
E-mail: sales@jumo.co.uk  
Internet: www.jumo.co.uk

**JUMO Process Control, Inc.**

6733 Myers Road  
East Syracuse, NY 13057, USA  
Phone: 315-437-5866  
1-800-554-5866  
Fax: 315-437-5860  
E-mail: info.us@jumo.net  
Internet: www.jumousa.com

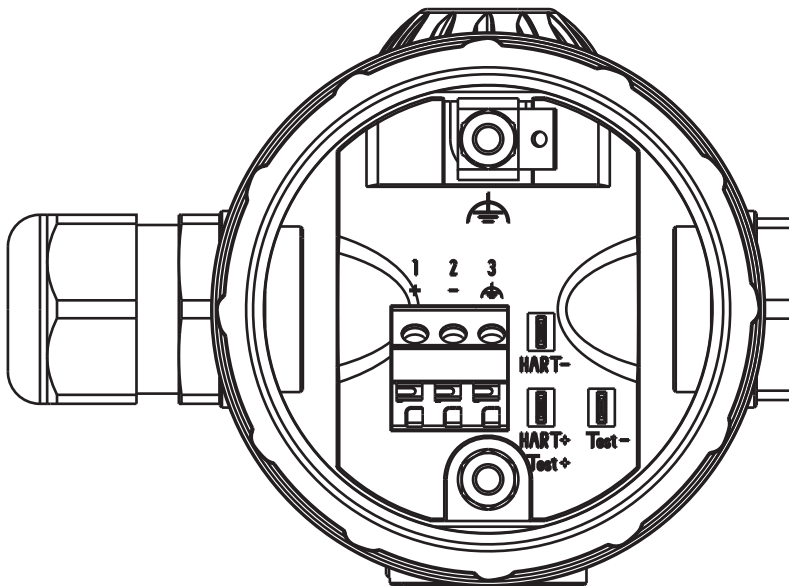


**Elektrical connection**

Connection	Terminal assignment	
	Cable gland	Round plug M12 x 1
Voltage supply DC 11.5 to 36 V for <b>none</b> Ex version DC 11.5 to 28 V for Ex version		1 L+ 2 L-
Output 4 to 20 mA two wire Impressed current 4 to 20 mA in voltage supply		1 L+ 3 L-
Current output test connection Inherent resistance of ammeter ≤ 10 Ω		TEST + TEST -
HART® test connection The burden must be present!		HART + HART -
Functional ground		3 4

Cable gland

Round plug M12 x 1



**JUMO GmbH & Co. KG**

Delivery address: Mackenrodtstraße 14  
36039 Fulda, Germany  
Postal address: 36035 Fulda, Germany  
Phone: +49 661 6003-0  
Fax: +49 661 6003-607  
E-mail: mail@jumo.net  
Internet: www.jumo.net

**JUMO Instrument Co. Ltd.**

JUMO House  
Temple Bank, Riverway  
Harlow, Essex CM20 2DY, UK  
Phone: +44 1279 635533  
Fax: +44 1279 635262  
E-mail: sales@jumo.co.uk  
Internet: www.jumo.co.uk

**JUMO Process Control, Inc.**

6733 Myers Road  
East Syracuse, NY 13057, USA  
Phone: 315-437-5866  
1-800-554-5866  
Fax: 315-437-5860  
E-mail: info.us@jumo.net  
Internet: www.jumousa.com

**Order details**

	<b>(1) Basic type</b>
403022	JUMO dTRANS p20 DELTA
	<b>(2) Basic type extension</b>
0	None
9	Special design
	<b>(3) Explosion protection</b>
0	None
1	ATEX Ex ia <sup>a</sup>
	<b>(4) Housing</b>
1	Short, stainless steel, with M12 connection <sup>b</sup>
2	Long, stainless steel, with cable gland
3	Precision casting, with cable gland
	<b>(5) Electrical connection</b>
36	Round plug, M12 × 1
82	Cable gland, plastic
93	Cable gland, metal
	<b>(6) Cover material</b>
20	CrNi (stainless steel)
85	Plastic
	<b>(7) Display</b>
0	Without display (LCD)
1	With display (LCD)
	<b>(8) Operation</b>
0	Without control knob
1	With control knob
	<b>(9) Nominal measuring range</b>
530	-10 to +10 mbar DP <sup>c, d</sup>
531	-1 to +1 bar DP <sup>d</sup>
532	0 to 1 bar DP
533	-1 to +6 bar DP
534	-1 to +100 bar DP
	<b>(10) Output</b>
405	4 to 20mA, two wire
410	4 to 20mA, two wire with HART <sup>®</sup> protocol
	<b>(11) Process connection</b>
511	2× pressure connection 1/4-18 NPT, to EN 837
998	Suitable for connecting to a diaphragm seal
	<b>(12) Process connection material</b>
20	CrNi (stainless steel)
80	Tantalum
82	NiMo
	<b>(13) Measuring system filling medium</b>
01	Silicon oil
02	Halogenized oil
	<b>(14) Extra codes</b>
000	None
100	Customized setting <sup>e</sup>
226	With GOST R approval
227	With INMETRO approval
624	Free of oil and grease



**JUMO GmbH & Co. KG**

Delivery address: Mackenrodtstraße 14  
36039 Fulda, Germany  
Postal address: 36035 Fulda, Germany  
Phone: +49 661 6003-0  
Fax: +49 661 6003-607  
E-mail: mail@jumo.net  
Internet: www.jumo.net

**JUMO Instrument Co. Ltd.**

JUMO House  
Temple Bank, Riverway  
Harlow, Essex CM20 2DY, UK  
Phone: +44 1279 635533  
Fax: +44 1279 635262  
E-mail: sales@jumo.co.uk  
Internet: www.jumo.co.uk

**JUMO Process Control, Inc.**

6733 Myers Road  
East Syracuse, NY 13057, USA  
Phone: 315-437-5866  
1-800-554-5866  
Fax: 315-437-5860  
E-mail: info.us@jumo.net  
Internet: www.jumousa.com



633	With mounting kit for wall and pipe mounting
634	With TAG number
635	With manufacturer declaration NACE <sup>f</sup>
681	Extended admissible ambient temperature
694	Increased nominal pressure PN 420 bar

<sup>a</sup> ATEX Ex ia does not apply in connection with a cable gland made out of plastic (82) and the output 4 to 20 mA (405).

<sup>b</sup> The short case is only available with a round plug M12 × 1 (36) as electrical connection.

<sup>c</sup> This input is only available with a process connection made out of stainless steel (20).

<sup>d</sup> This inputs specified above are not available with an increased nominal pressure (694).

<sup>e</sup> Please specify required setting in plain text. For factory setting see "Accuracy" section in data sheet.

<sup>f</sup> Only with process connection material 82 (NiMo)

<b>Order code</b>	(1)	(2)	(3)	(4)	(5)	(6)	(7)	(8)	(9)	(10)	(11)	(12)	(13)	(14)													
	□	□	□	□	□	□	□	□	□	□	□	□	□	□													
<b>Order example</b>	403022	/	0	-	0	-	2	-	82	-	20	-	1	-	1	-	532	-	405	-	511	-	20	-	1	/	000

**Accessories**

Article	Part no.
PC interface with USB/TTL converter <sup>a</sup>	00456352
HART <sup>®</sup> modem USB <sup>b</sup>	00443447
4-pole terminal box, straight, M12 × 1, with 2 m PVC cable	00404585
4-pole terminal box, angled, M12 × 1, mit 2 m PVC cable	00409334
5-pole terminal box M12 × 1, straight, without cable	00419130
5-pole terminal box M12 × 1, angled, without cable	00419133
SET oval flange 1/2" NPT/accessories set 7/16-20UNF	00543775
Mounting kit, set includes 7/16-20 UNF screws	00543777

	Data Sheet
Manifolds	409706
Pressure separator with milk pipe fitting DIN 11851	409772
Pressure separator with clamp connection	409774
Pressure separator with DRD flange or Varivent connection	409776
Pressure separator with ISS connection or SMS connection or RJT connection and slotted ring nut	409778
Diaphragm chemical seals 4MDV-10	409780
Pressure separator with male thread ISO 228/1 or ANSI B 1.201	409782
Pressure separator with flange connection EN 1092-1 with sealing lip Form B1	409784
Pressure separator with flange connection to ANSI B 16.5 with sealing lip Form RF	409786
Ex-i Power supply/input isolating amplifier	707530

<sup>a</sup> The PC interface cable is the connection between the JUMO interface of the differential pressure transmitter and the USB interface of a PC.

<sup>b</sup> The HART<sup>®</sup> modem is the connection between the HART<sup>®</sup> interface of the differential pressure transmitter and the USB interface of a PC.

**Software**

Article	Part no.
JUMO Setup dTRANS p20 series	00537577