

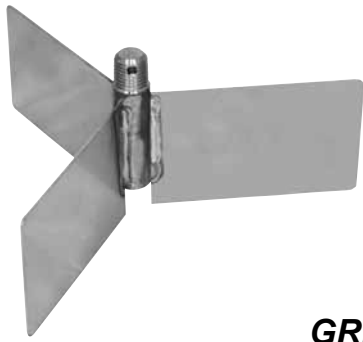


Rotary Paddle Selection Guide

	Light Material	Medium Material	Heavy Material	Stainless Steel	Nylon	Insertable	Direct Connect	3-Vane	Single-Vane
GRP-1	X			X				X	
GRP-2		X		X				X	
GRP-3			X	X					X
GRP-11	X				X			X	
GRP-12		X			X			X	
GRP-22			X	X				X	
GRP-23		X		X		X			X
GRP-24			X						X
GRP-25	X			X				X	
GRP-26	X			X			X	X	
GRP-27		X		X		X	X		X
GRP-28	X			X				X	
GRP-29	X			X			X	X	
GRP-30		X		X			X	X	
GRP-31			X	X					X
GRP-34		X	X	X		X	X		X
GRP-35		X	X	X		X	X		
GRP-36		X	X	X		X			X
GRP-37		X	X	X		X			

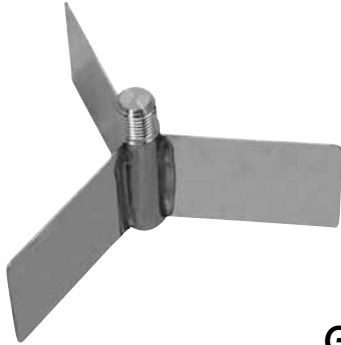
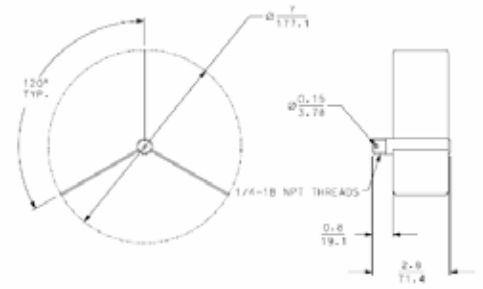


**BMRX and
MAXIMA+ ROTARIES**



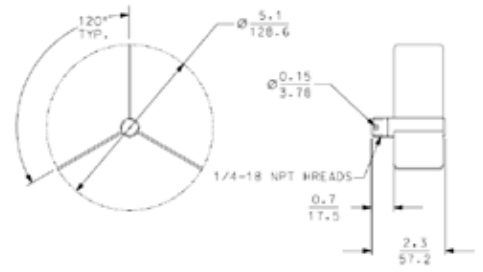
GRP-1

- Stainless steel
- For light materials
- 3-vane paddle
- 7" diameter
- Must be used with a coupler



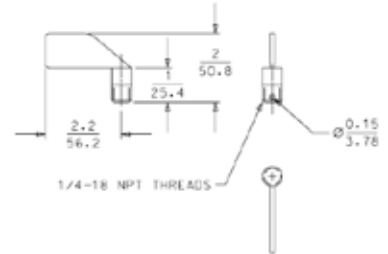
GRP-2

- Stainless steel
- For medium materials
- 3-vane paddle
- 5" diameter
- Must be used with a coupler



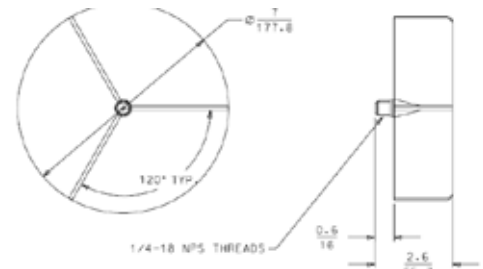
GRP-3

- Insertable through a 1-1/4" or 1-1/2" NPT opening
- Stainless steel
- For heavy materials
- Single vane
- Turns in 5" diameter
- Must be used with a coupler



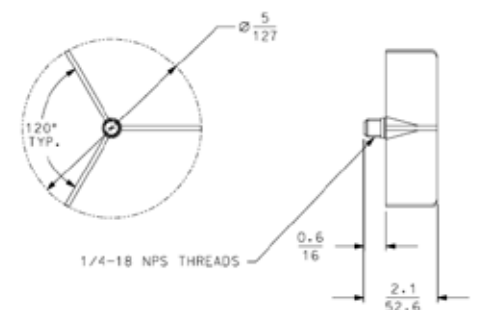
GRP-11

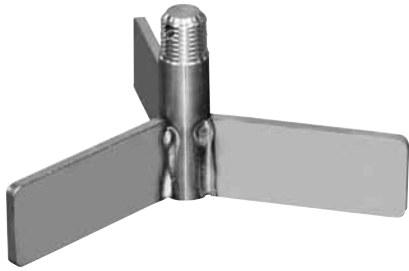
- Economical, nylon paddle
- For light materials
- 3-vane
- 7" diameter
- Must be used with a coupler



GRP-12

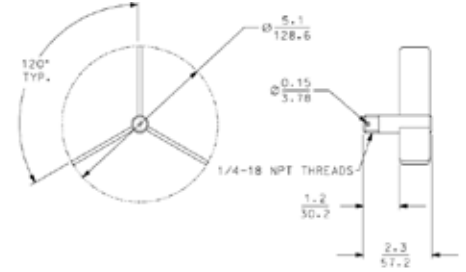
- Economical, nylon paddle
- For medium materials
- 3-vane paddle
- 5" diameter
- Must be used with a coupler





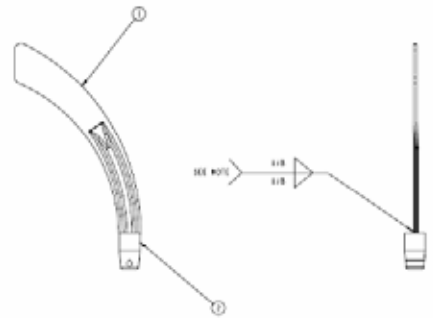
GRP-22

- Stainless steel
- For heavy materials
- 3-vane
- 5" diameter
- Must be used with a coupler



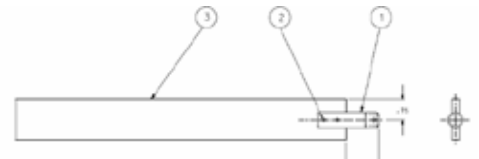
GRP-23

- Insertable through 1-1/4" or 1-1/2"
- NPT opening
- Stainless steel
- For medium materials
- Single bayonet style
- Turns in 5" diameter
- Must be used with a coupler



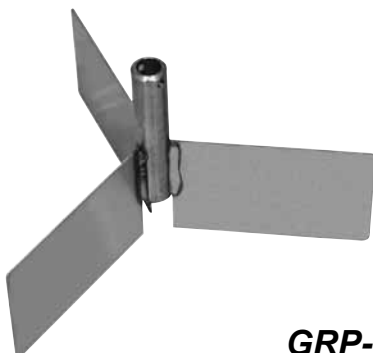
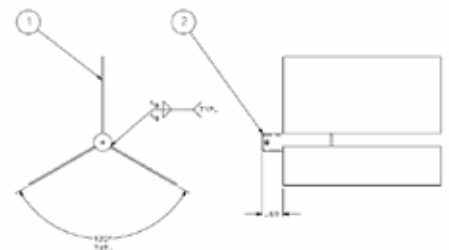
GRP-24

- 12" belt paddle
- For use in heavy materials
- Used in large particulate size such as rock, coal or aggregate
- Must be used with a coupler



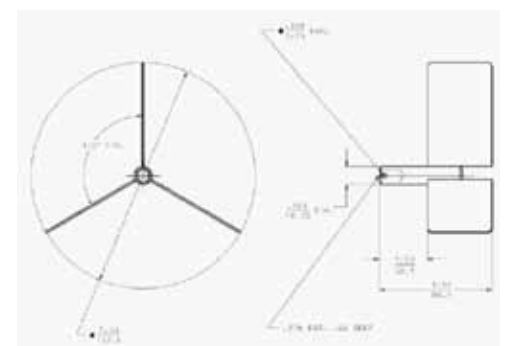
GRP-25

- Stainless steel
- For very light materials
- 3-vane
- Paddles are 5" tall and 1/16" thick to increase resistance in light materials
- Must be used with a coupler



GRP-26

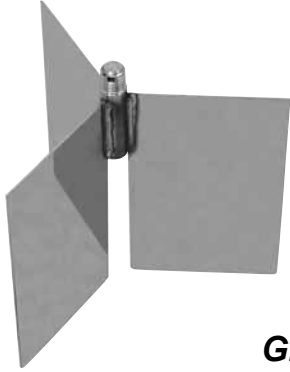
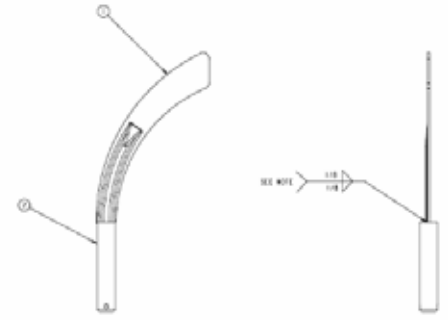
- Direct connect version of GRP-1
- Does not require use of coupler
- Should be used when side mounting only
- For light materials
- 3-vane, stainless steel
- 7" diameter, blades are 2' wide





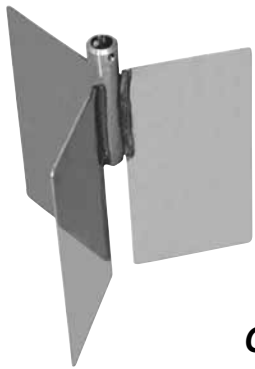
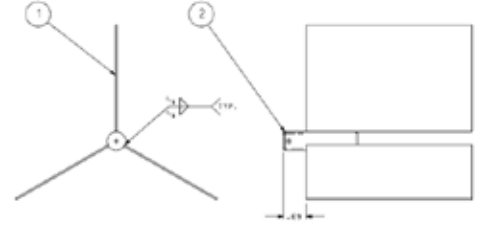
GRP-27

- Direct connect version of GRP-23
- Does not require use of coupler
- Should be used when side mounting only
- For medium materials
- Insertable, single bayonet style, stainless steel
- Blade is 1/8" thick and 1" wide



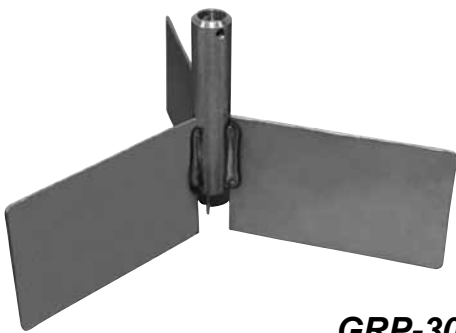
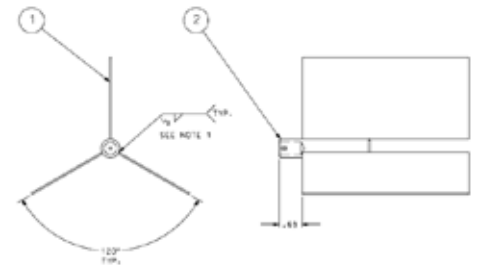
GRP-28

- For extremely light materials
- 3-vane, stainless steel
- 7" diameter for added resistance
- Blades are 5" tall and 1/16" thick to increase resistance in light materials



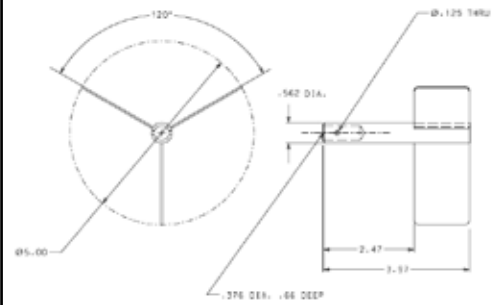
GRP-29

- Direct connect version of GRP-25
- Does not require use of coupler
- Should be used when side mounting only
- 3-vane, stainless steel paddle
- For very light materials
- Paddles are 5" tall and 1/16" thick to increase resistance in light materials



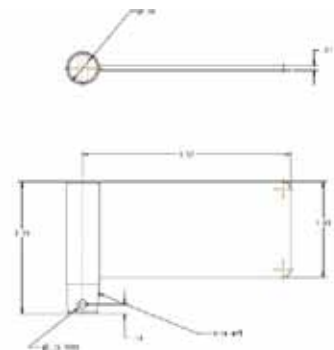
GRP-30

- Direct connect version of GRP-2
- Does not require use of coupler
- Should be used when side mounting only
- For medium materials
- 3-vane paddle, stainless steel
- 5" diameter



GRP-31

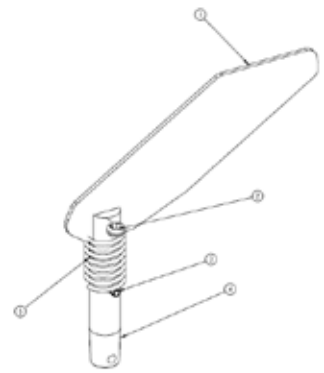
- Single blade
- Stainless steel
- 3-1/4" long for heavy materials
- Turns in 6-1/2" diameter
- Blade is 1/8" thick and 1.63" wide
- Must be used with a coupler





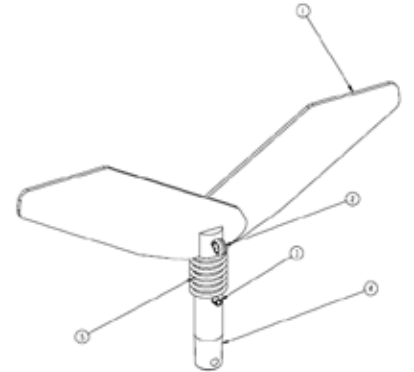
GRP-34

- Direct connect version of GRP-36
- Single bladed, insertable paddle
- Folds to insert through a 1-1/4" or 1-1/2" NPT opening
- Stainless steel
- Turns in 7-1/2" diameter
- Paddle blades are 1-1/2" wide



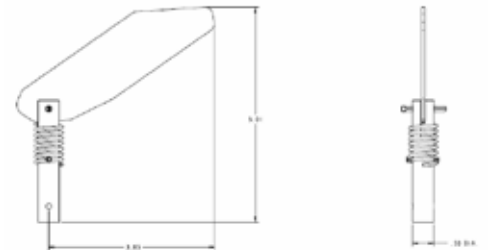
GRP-35

- Direct connect version of GRP-37
- Double bladed, insertable paddle
- Folds to insert through a 1-1/4" or 1-1/2" NPT opening
- Stainless steel
- Turns in 7-1/2" diameter
- Paddle blades are 1-1/2" wide



GRP-36

- Single bladed, insertable paddle
- Folds to insert through a 1-1/4" or 1-1/2" NPT opening
- Stainless steel
- Turns in 7-1/2" diameter
- Paddle blades are 1-1/2" wide
- Must be used with a coupler



GRP-37

- Double bladed, insertable paddle
- Folds to insert through a 1-1/4" or 1-1/2" NPT opening
- Stainless steel
- Turns in 7-1/2" diameter
- Paddle blades are 1-1/2" wide
- Must be used with a coupler

