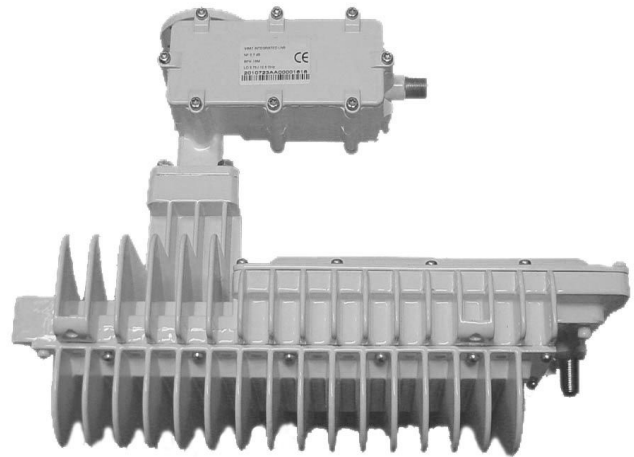
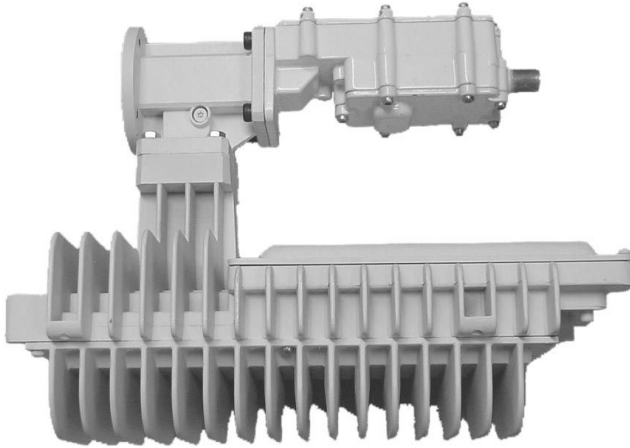


# VSAT Integrated ODU Transceiver



## In Line Configuration

### General Specification

- 0.5 Watt, 1 Watt and 2 watt Power Output options
- L Band input
- Ultra Low Power Consumption
- Fully Integrated Design
- Unique Patented TX Reject Filter
- Choice of configurations, either In-line or Fully Integrated.

### Description

Designed and manufactured by Invacom, the leading innovator in low cost integrated LNB technology, the VSAT Transceiver brings a truly affordable solution to system operators world wide.

Two Options are available,

**In-Line** - Comprising the well known Invacom SPV-3SM integrated LNB/TX filter, and complemented by an Invacom OMT.

**Fully Integrated** - Comprising the fully integrated Invacom VSAT LNB, OMT and TX/Filter SPV-1SM.

Both options matched to the range of ultra low power consumption Transmitters. The Invacom Transceiver is the integrated one stop solution for the growing VSAT market.

## Fully Integrated Configuration

Each unit meets the exacting DVB - RCS standards for VSAT ODU's and is individually tested over the full operating temperature range during manufacture.

Incorporating unique Invacom technology, currently subject to a patent application, operators can be certain that the DVB-RCS Transceiver is future proof

Compatible with a wide range of VSAT IDU's and available in OEM options the Invacom DVB-RCS Transceiver moves the VSAT market forward to the next generation and brings VSAT Broadband solutions into the reach of the worldwide market

For detailed Transmitter Specifications see TUL051, TUL101, TUL201. For operation with IDU's without DiSEqC capability see specifications TUL052 , TUL102 , TUL 202.

For detailed LNB Specifications see SPV-1SM, SPV-2SM, SPV-3SM or SPV-4SM.

For detailed OMT specification see separate data sheet for full specification .