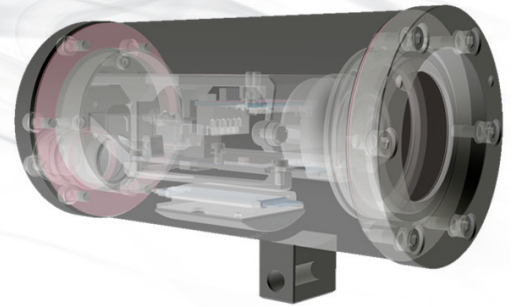
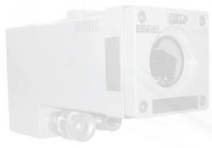


ExCam® IPM3014



THIS.

2005:
35kg, -20°C, IP54...

IS.

2010:
15kg, -40°C, IP66

EVOLUTION.

2016:
2.2kg, -60°C, IP68...

Feature-Highlights.

- ✓ ATEX, IECEx & EAC-Ex certified TCP/IP Network Camera*
- ✓ Ultra Compact and Innovative Design, only weighing max 2,200g
- ✓ Dynamic and Modular PTC-Heater-Concept (-60°C)
- ✓ One-Cable-Solution: Power over Ethernet (PoE)
- ✓ ONVIF and VAPIX Compatible Multi-Streaming-Solution with ePTZ
- ✓ Cost-Optimized Production thanks to applied 3D-Printing-Technology

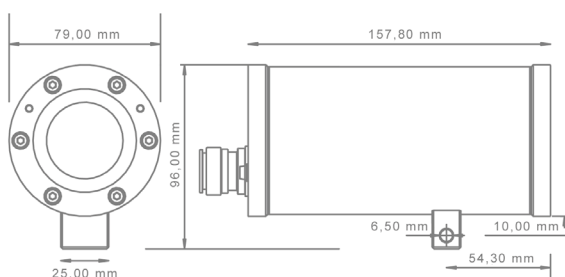
Zones*.

Group I (Mining)	ATEX / IECEx / EAC-Ex		Group II (Gas & Dust)	ATEX / IECEx / EAC-Ex				
Category	Ma	Mb	Zone	0	1	2	21	22
Suitable	✗	✓	Suitable	✗	✓	✓	✓	✓

* = Depending on Model. Further certifications upon request.

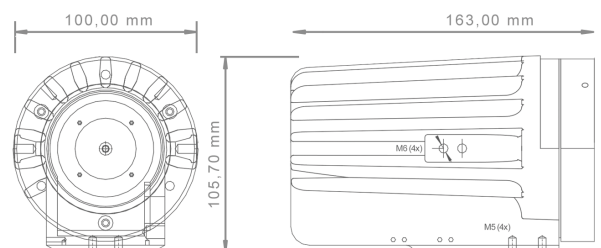
Dimension.

T08-VA1.2.K1.BOR Front View:



Side View from Left:

T03-AL-XX Front View:



Side View from Left:

Data.

Explosion protection

Declaration of conformity*:

DIN EN 60079-0:2012, DIN EN 60079-1:2007,
DIN EN 60079-31:2009, TR CU 012/2011, ...



Marking acc. to ATEX directive 94/9/EG*:
Explosion protection (gas):
Explosion protection (dust):
Explosion protection (mining):

TUEV-14-ATEX-7539X
 II 2G Ex d IIC T6 Gb or Ex d IIB T6 Gb
 II 2D Ex t IIIC T80°C Db IP68
 I M2 Ex d I Mb



Marking according to IECEx*:
Explosion protection (gas):
Explosion protection (dust):
Explosion protection (mining):

IECEx-TUR-14.0026X
Ex d IIC T6 Gb
Ex t IIIC T80°C Db IP68
Ex d I Mb



Marking according to EAC-Ex*:
Explosion protection (gas):
Explosion protection (dust):
Explosion protection (mining):

No. TC RU C-DE.MIO62.B.01921
Ex d IIC T6 Gb
Ex tb IIIC T80°C Db IP68
PB Ex d I Mb



Mechanical characteristics

Housing material:
Protection level:
Weight:

Stainless Steel 1.4404 or Aluminium
IP 68* (IEC / EN 60529)
T08-VA1.2.K1.BOR...: 2200 g, T03-AL-XX...: 1900g



Range of temperature

T08-VA1.2.K1.BOR-C-XXX-X-N:
T08-VA1.2.K1.BOR-C-XXX-X-L:
T08-VA1.2.K1.BOR-C-XXX-X-LL:

0°C to +50°C T03-AL-C-005-X-N: 0°C to +50°C
-30°C to +50°C T03-AL-C-005-X-L: -20°C to +50°C
-60°C to +50°C



Electrical characteristics

Power supply:
Maximum power:

PoE, IEEE 802.3af class 1 (L/L Models only MODE A P.S.E-Devices!)
Max. 3.84W@PoE, ca. 20W@-60°C@24VDC



Connection cable

Outside diameter:
Twisted pair structure (data):

9.1 ±0.2 mm
4 x 2 x AWG22/1 CAT.6a



Camera

Image sensor:
Lens:
Horizontal angle of view:
Minimum illumination:
Shutter time:
Pan/Tilt/Zoom:

1/4" progressive scan RGB CMOS 1 megapixel
2.8 mm, F2.0, fixed iris
80°
1.0 lux, F2.0
1/25000 s to 1/6 s
Digital PTZ, preset positions, guard tour



Video

Video compression:
Resolutions:
Frame rate :
Video streaming:
Image settings:

H.264 (MPEG-4 Part 10/AVC), Motion JPEG
1280x800 to 160x90
H.264: 30 fps in all resolutions, Motion JPEG: 30 fps in all resolutions
Controllable frame rate and bandwidth, Multi-stream H.264 and Motion JPEG
Compression, color, brightness, sharpness, contrast, white balance, exposure control...



Network

Security:
Supported protocols:

Password protection, IP address filtering, HTTPS* encryption, digest authentication, user access log
IPv4/v6, HTTP, HTTPS*, QoS Layer 3 DiffServ, FTP,....



System integration

Application Programming Interface:

Open API for software integration, including supporting the ONVIF specification available at
www.onvif.org, as well as VAPIX® from Axis Communications, spec. available at www.axis.com

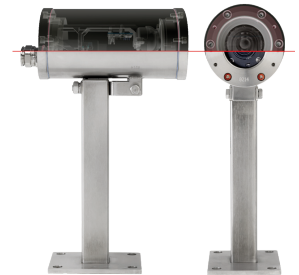


Fig.: 3D-Development/Picture-Cut
ExCam IPM3014 on Wall Bracket

T03-Models.

T03- AL - C- XXX- X- X
 ↓ ↓ ↓ ↓ ↓ ↓
 N = Normal temperature (0°C to +50°C)
 L = Low temperature (-20°C to +50°C)
 P = Plug RJ45 cable termination
 K = Terminal block cable termination
 ___ = Cable length in meters (005 to 100, see UM)
 C = Execution in explosion group IIC
 AL = Aluminium housing
 T03 = ATEX camera type No. 03

T08-Models.

T08-VA.1.2.K1.BOR-C-XXX-X-X
 ↓ ↓ ↓ ↓ ↓ ↓ ↓ ↓
 N = Normal Temp. (0° C to +50° C)
 L = Low Temp. (-30° C to +50° C)
 LL = Low Low temp. (-60° C to +50° C)
 P = Plug RJ45 cable connector
 K = Terminal cable connection
 ___ = Cable length in meters (005 to 50/100, see UM)
 C = IIC-Version
 BOR = Borosilicate glas flange
 K1 = Cable gland rectangular on rear flange
 VA1.2 = Stainless Steel Enclosure 1.4404
 T08 = ATEX, IECEx & EAC-Ex Camera Typ Nr. 08