

ExCam[®] vario

Datasheet.

Features.

Extremely high light sensitivity by 1/3" Sensor and DC Iris

The ExCam vario includes a newly developed 1/3" Super HAD™ Interline Transfer CCD sensor that provides increased sensitivity compared to cameras featuring the 1/4-type Super HAD™ CCD.

Day / Night function

The ExCam vario features a Day/Night capability, which provides optimum sensitivity in both day and night shooting applications. As the scene illumination darkens, the infrared filter is automatically removed. The camera then switches to B&W mode enabling it to operate under a minimum illumination of 0.15 lx (AGC-Turbo, B&W).



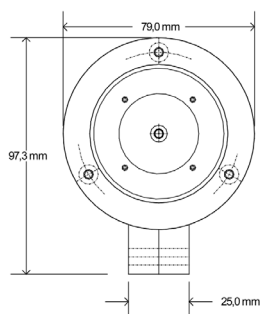
Models.

T03- XX- X- XXX- X- X
 ↓ ↓ ↓ ↓ ↓
 N = Normal temperature (0°C to +50°C)
 L = Low temperature (-20°C to +50°C)
 P = Plug BNC cable termination
 K = Terminal block cable termination
 ___ = Connecting cable length in meters (005 to 200)
 B = Execution in explosion group IIB
 C = Execution in explosion group IIC
 VA = Stainless steel housing
 AL = Aluminium housing

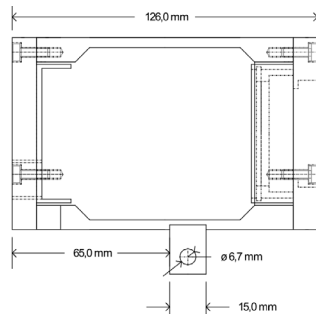
T03 = ATEX camera type No. 03

Dimensions.

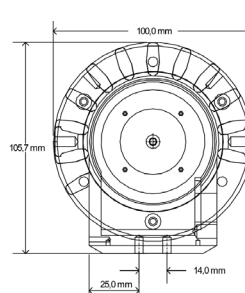
T03-VA-XX Front View



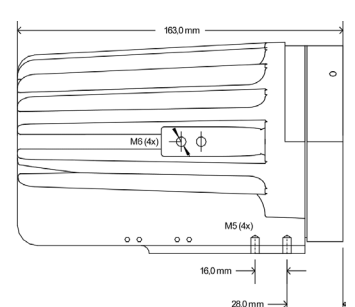
Side View from Left



T03-AL-XX Front View



Side View from Left



Data.

ExCam® vario

Electrical characteristics

Power supply:	+12VDC to +30VDC
Max. power:	5.5W
Input current:	Ca. 460mA@12VDC Ca. 230mA@24VDC

System cable SKAxx

Outside diameter:	9.4mm
Bending radius:	Min. 150mm
Video:	1x75Ω Coax AWG 24, Cu shield
Power supply camera:	2x0.75mm ²

Mechanical characteristic

Housing material:	Aluminium Stainless Steel 1.4301 (AISI 304) or optional Stainless Steel 1.4401 / 1.4404 (AISI 316 / 316L)
Protection level:	IP 67 (IEC / EN 60529)
Weight:	T03-VA-XX: about 2100g T03-AL-XX: about 1900g

Range of temperature

T03-XX-X-XXX-X-L:	-20°C to +50°C
-------------------	----------------

Camera sensor

Sensor:	1/3" CCD Sony Super HAD Interline Transfer
Effective sensor resolution:	PAL:440.000 Pixel (ca. 752 x 582)
Horizontal resolution:	PAL: 540 TV lines



Lens

Lens:	Varifocal
Focal (f):	3.8 mm to 9.5 mm
Angle of view:	74.2° (wide) to 30° (tele)
Iris:	F1.2 to F2.0
Minimal illumination:	0.15 lx
Recommended illumination:	0.5 to 100,000Lx
Minimal object distance:	150mm

Electronic functions

DC iris control	
Automatic Shutter Control (ESC)	
Digital signal processing (DSP)	
Back Light Compensation (BLC)	
Auto White Balance (ATW)	
Removable IR-cut filter (ICR)	
Automatic gain control (AGC)	
Composite video (VBS) video output 1 Vpp	
Signal-to-noise ratio:	≥ 48 dB

Explosion protection

Declaration of conformity :	DIN EN 60079-0:2009 DIN EN 60079-1:2007 DIN EN 60079-31:2009
EC type examination certificate:	TÜV 09 ATEX 7697 X
Marking according to directive 94/9/EG:	 II 2G (zone 1 and 2)  II 2D (zone 21 and 22)
Explosion protection (gas):	Ex d IIC T6 Gb or Ex d IIB T6 Gb
Explosion protection (dust):	Ex t IIIC T80°C Db IP67
Protection level:	IP 67 (IEC / EN 60529)



Schillerstrasse 17
D-35102 Lohra-Altenvers

info@samcon.eu
T: +49 6426 9231-0
F: +49 6426 9231-31

Equipment.



Mounting.

Wall and ceiling mount adapter
for T03-VA-XX and T03-AL-XX
Pan: 360°
Tilt: 90°



Controlling and viewing. Hardware.

Videoserver AXIS
..Q7401 (Single Port – one ExCam)
..Q7404 (Quad Port – four ExCam)



Power supply 15W-24V

International plug in power supply
Power input: 90 - 264 V/AC
Power supply for camera and heating



Monitor 19"
with analog CVBS Input

...see further equipment on
<http://www.samcon.eu>