

ExDome DTR120ZEX

Datasheet.

Features.

For extremely small enclosures

Due to its very compact dimensions (OD 155 mm - L 260 mm), this explosion proof TV camera with a tilt/rotate viewing head combines a high quality night-and-day 18x optical zoom.

Ex protection for different applications

Protected by an explosion proof housing, certified for gas and dust, this camera is ideally adapted for applications of video surveillance in explosion risk environments such as petrochemical plants, gas storages and transportations, offshore platforms, drilling rigs or drillships, silos etc.

This camera offers the following advantages:

- Low weight and small size
- No external movements
- Excellent tolerance of harsh environments: Chemicals, climate etc.
- Waterproof IP68 - 5 bars
- Embedded IP server (as option)
- Real optical 18x zoom
- Night-and-day
- Preset positions, image rotations and overlays, protected IP access etc.

Availability of several communication protocols and links allow compatibility with most common communication interfaces as well as an easy installation in rough environments.



Data.

Electrical characteristics

Power supply:	18 VDC - 30 VDC
Reference power:	24 VDC
Input current:	Max. 600 mA
Max. power:	Max. 12 W

Connection cable

Outside diameter:	8.7 ±0.3 mm
Bending radius:	100mm

Mechanical characteristics

Dimensions:	L 260 mm - OD 155 mm
Protection degree:	IP 68 (5 bar)
Weight:	8 kg

Range of temperature

Ambient temperature:	-20°C to +55°C (T5)
	-20°C to +60°C (T6)

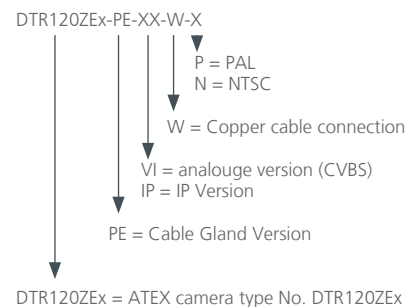
Camera & Sensor

Image sensor:	1/4" CCD - 440 000 pixels (PAL) or 380 000 pixels (NTSC)
Resolution:	460 TV lines (PAL) or 470 TV lines (NTSC)
Color standard:	PAL - NTSC in option
Video output:	1Vpp - 75 ohms
S/N ratio:	>50 dB
Sensitivity:	0.7 lux in standard mode 0.01 lux in slow shutter mode and ICR

Optical

Lens:	18 x optical zoom (focal lens 4.1 to 73.8 mm)
IR cut filter removal:	Automatic ICR mode
Focus:	Automatic with remote control override
Lens movement:	Tilt -90° to +90 with flip facility Pan 360° w/o stop

Models.



More Data.

ExDome DTR120ZEX



Video Stream (as option)

Video compression:	Motion JPEG and MPEG4
Resolution:	Max. 768 x 576 (PAL) or 704 x 480 (NTSC) Min. 176 x 144 (PAL) or 160 x 120 (NTSC)
Frame rate:	Motion JPEG up to 30/25 fps at 4CIF MPEG-4 up to 30/25 fps at 2CIF, up to 20/17 fps at 4CIF
Security:	Password protection, IP address filtering, HTTPS encryption
Web browser:	Live view access from web browser, pan and tilt commands and presets. Image rotation and overlay capabilities (time, date, text)

Network (as Option)

Security:	Password protection, IP address filtering, HTTPS* encryption, digest authentication, user access log
Supported protocols:	IPv4/v6, HTTP, HTTPS*, QoS Layer 3 DiffServ, FTP, SMTP, Bonjour, UPnP, SNMPv1/v2c/v3(MIB-II), DNS, DynDNS, NTP, RTSP, RTP, TCP, UDP, IGMP, RTCP, ICMP, DHCP, ARP, SOCKS

System integration (as Option)

Application Programming Interface:	Open API for software integration as VAPIX® from Axis Communications. Specifications available at www.axis.com
Intelligent video:	Video motion detection, active tampering alarm
Alarm triggers:	Intelligent video
Alarm events:	File upload via FTP, HTTP and email notification via email, HTTP and TCP

Explosion protection:

Declaration of conformity:	DIN EN 60079- 0:2004 DIN EN 60079- 1:2004 DIN EN 61241- 0:2006 DIN EN 61241- 1:2004
----------------------------	--

EC type examination certificate:	LCIE 06 ATEX 6051 X
----------------------------------	---------------------



Marking according to directive 94/9/EG:	II 2G (zone 1 and 2) II 2D (zone 21 and 22)
---	--

Explosion protection (gas):	Ex d IIC T6 (-20°C to +55°C) Ex d IIC T5 (-20°C to +60°C)
-----------------------------	--

Explosion protection (dust):	Ex td A21 IP68 T85°C (-20°C to +55°C) Ex td A21 IP68 T100°C (-20°C to +60°C)
------------------------------	---

Protection level:	IP 68 (IEC / EN 60529) (5bar)
-------------------	-------------------------------

Recommended Accessories.

product / model	description
Ex-e Terminal box ExTB-2 	Terminal box for analog and digital ExCam systems Gas – Explosion proof: Ex II 2 G Ex e II T6 Dust – Explosion proof: Ex II 2 D Ex tD A21 IP66 Material: Polyester resin, dimensions: 115 x 115 x 64 mm Protection level: IP 66 Ambient temperature limit: - 40°C to + 55°C max. power supply: 690 V, max. diameter: 2.5 mm ² 10 pcs. terminal clamp UT 2.5, description: 1-10, ...
Axis Q7401 	1-Channel Ethernet video server Video compression: MJPEG and H.264 Max transmission rate: 25fps@4CIF digital In/Outputs: 4 (as DI or DO configurable) Interfaces: 1xRS422/485* Internal recording archive: via SD Slot, Audio: Full duplex Needed IP addresses: 1, Power supply: 9-20 V DC or PoE class 2